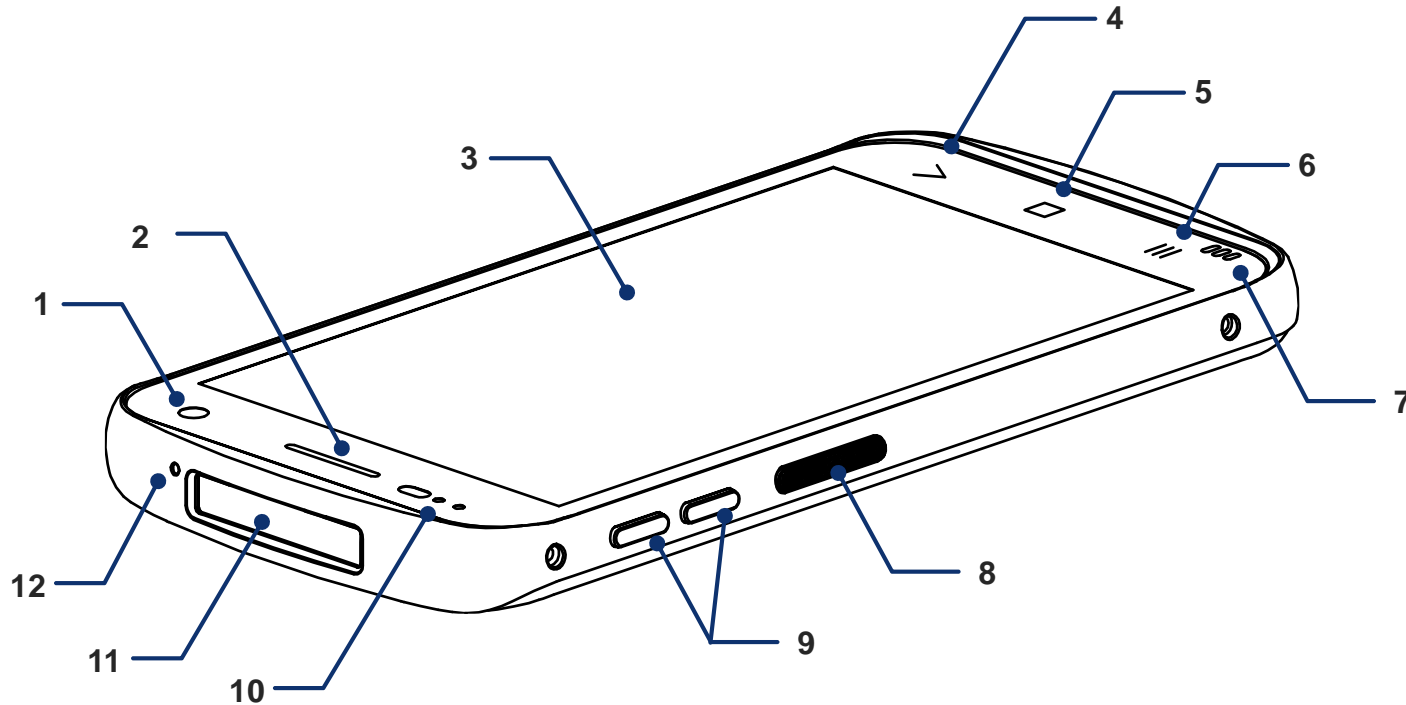


Quick Start Guide

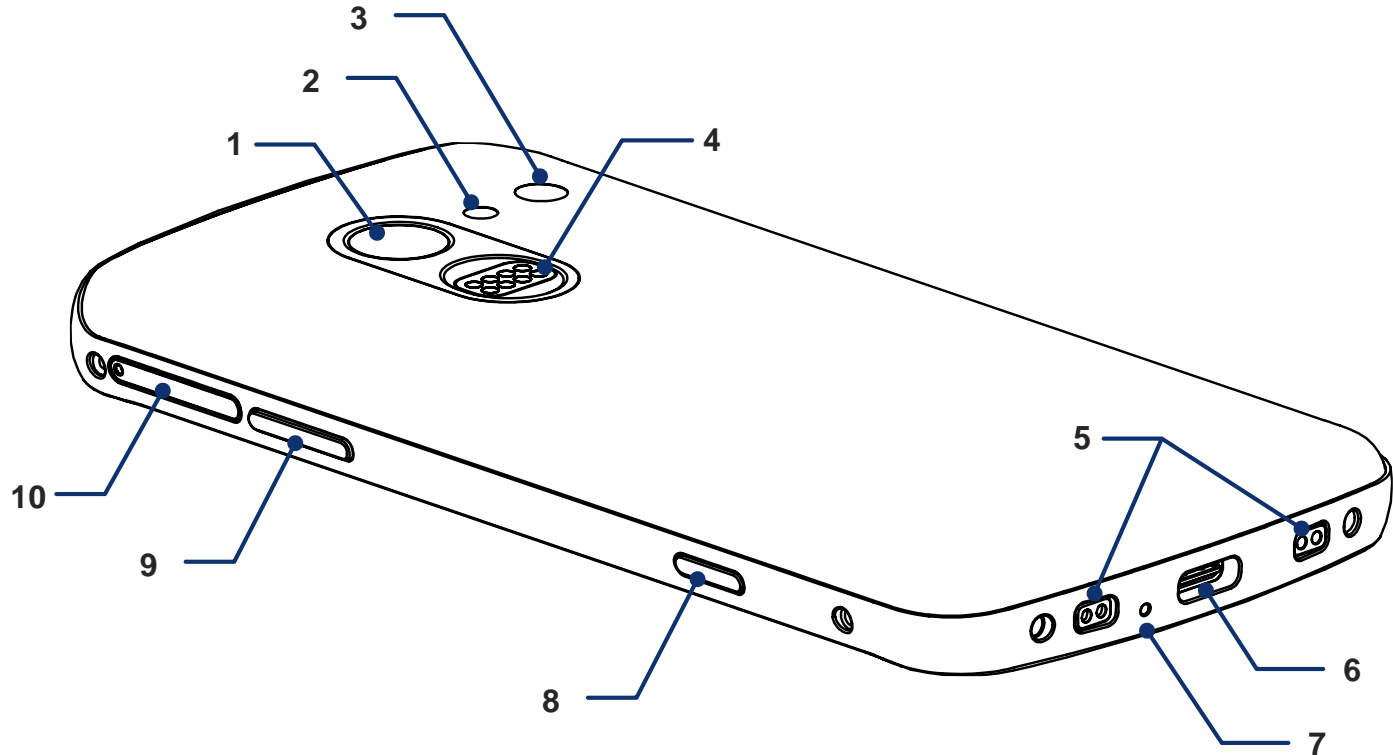
PM30

Device Parts



- | | | | |
|----|-------------------|-----|--|
| 1. | Front camera | 7. | Speaker |
| 2. | Receiver | 8. | Push-To-Talk (Default)
/ Scan button (Programmable) |
| 3. | Screen | 9. | Volume up & down button |
| 4. | Back button | 10. | LED Indicator & Sensor |
| 5. | Home button | 11. | Scanner |
| 6. | Recent app button | 12. | Microphone (Second) |

Device Parts



- | | |
|---|----------------------|
| 1. Fingerprint sensor | 6. USB Connector |
| 2. Flashlight | 7. Microphone (Main) |
| 3. Rear camera | 8. Power button |
| 4. I/O connector for sled accessory (RF300, Gun handle) | 9. Scan button |
| 5. I/O connector for cradle charging | 10. Card tray |

Product Standard Accessories



AC/DC power supply



USB type C cable



Country plug



SIM tray eject pin



LCD protection film

Product Optional Accessories



Protective case



Single slot cradle
(for RF300 or gun handle)



Dual slot cradle



Wireless charging pad



PM Booster
(Extended battery case)



RF300
(UHF RFID reader)

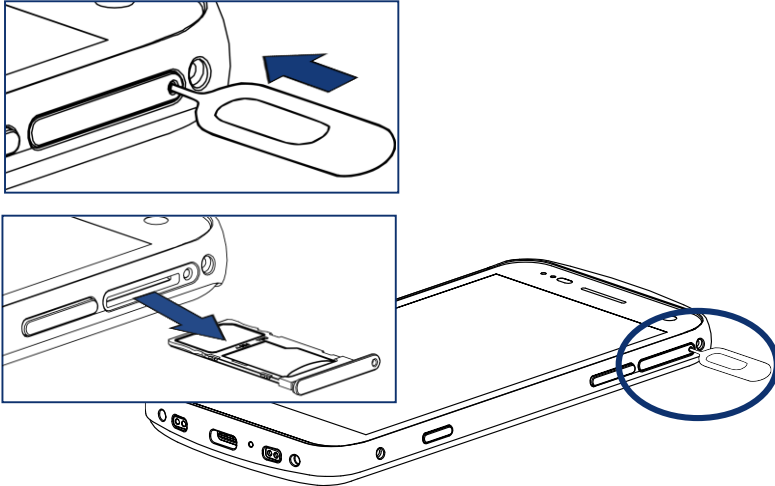


Gun handle

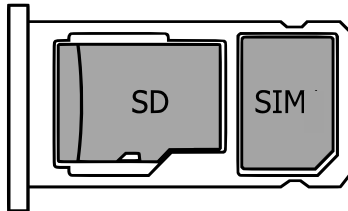
Install SIM, SD card

PM30 supports nano SIM and microSD card. (nano SIM card is supported by LTE SKU only.)

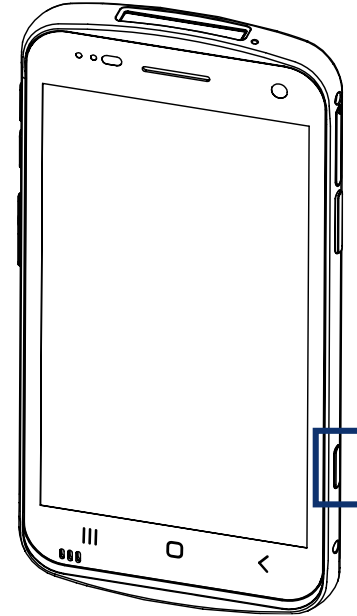
1. Insert and push the card tray eject pin into the hole of card tray. And pull the tray out.



2. Insert the nano SIM card and microSD card into proper slot in the correct orientation.
(Gold contact must be facing down.)



Turn on / off PM30



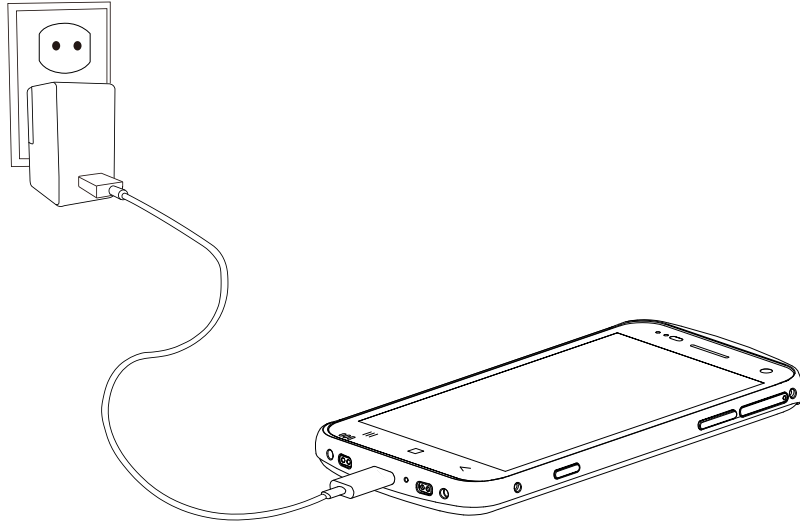
Turn on

Press and hold the **Power** button on the right side of PM30 until **SMART BEYOND RUGGED** logo displays on the screen.

Turn off

When the screen is on, press and hold the **Power** button until the power menu is shown. Then, tap **Power off** among the menu.

Charging the Device

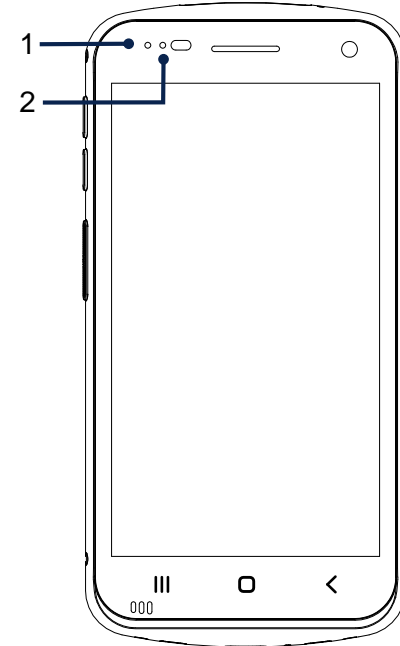


1. Assemble the AC/DC power supply, country plug and USB type C cable
2. Connect the USB type C cable to PM30
3. Provide power by plugging the power supply to the wall socket

< Caution >

1. Always use an original power supply from Point Mobile. Other chargers and cables may damage the PM30. The device warranty does not cover any damage caused by the usage of non-original power supplies.
2. Make sure the charger and cable is not wet.

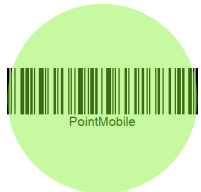
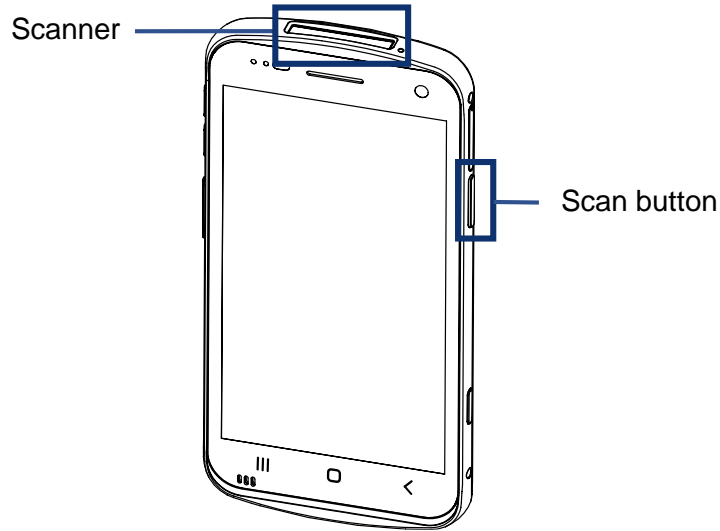
LED Indicator



No	Indicator	Status	Indication
1	Power LED	Solid red	Charging the device (With charger) / Battery is low (Without charger)
		Blinking red	Battery is critical low
		Solid green	Device is fully charged
2	Notification LED	Blinking blue	Notification existing
		Red flash	Barcode reading failed
		Blue flash	Barcode reading success

Scan a Barcode

Scanner is placed on the top of the PM30. Scanner is disabled by default, so enable the scanner from ScanSettings first. Then, press the scan button to scan a barcode.



Place the barcode within the the green dot aimer.



Keep distance that the green dot aimer can cover the barcode enough.

Certification

Model: PM30

Trade name of certified: Point Mobile Co. Ltd.

Manufacturer: Point Mobile

For more certificate Information,
go **Settings > About phone > Certificates**