

# Quick Start Guide

---

**PM95**

v1.0, Jan 2024

Copyright © 2024 Point Mobile Co., Ltd. All rights reserved.

Point Mobile Co., Ltd. is the designer and manufacturer of mobile handheld devices.

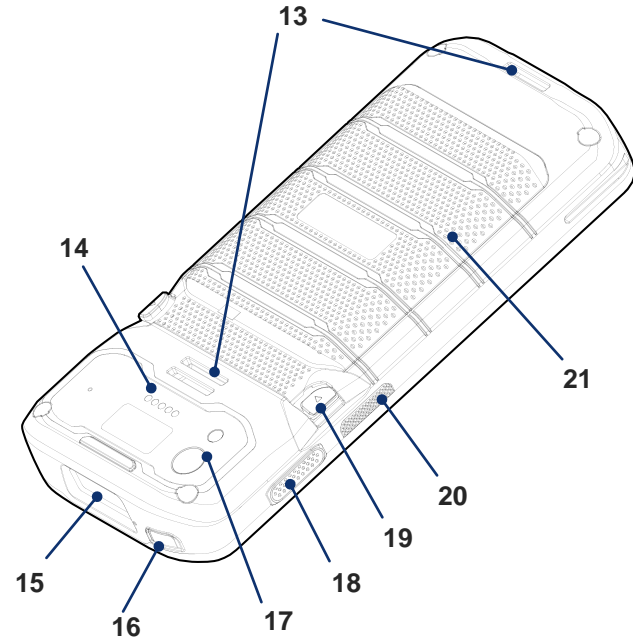
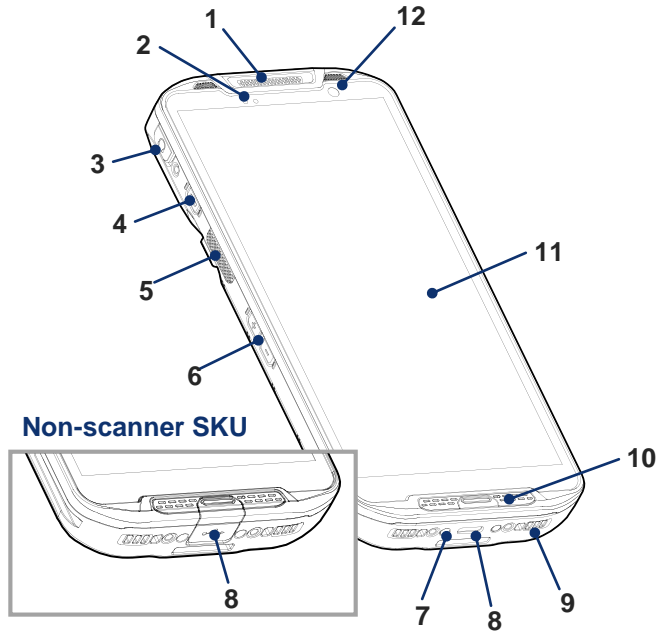
The Point Mobile logo is a registered trademark and symbol of Point Mobile Co., Ltd.

Features and specifications are subject to change without prior notice.



# Device Parts

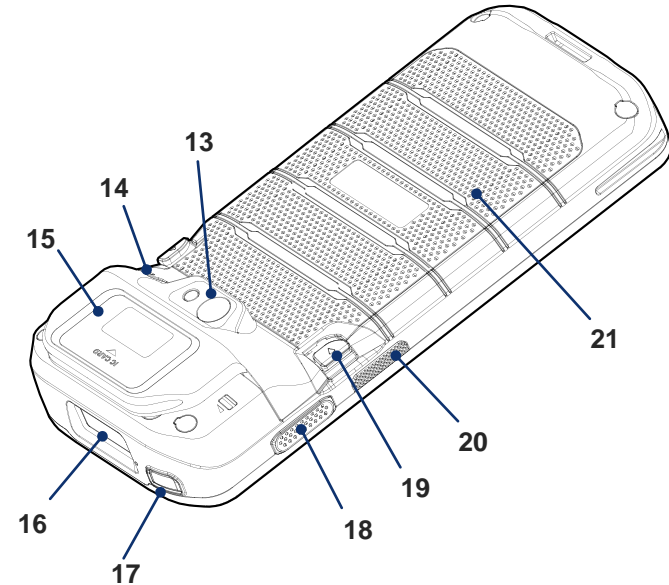
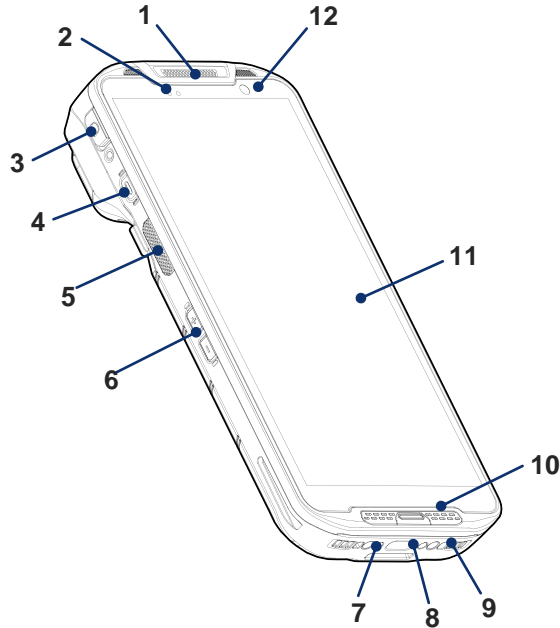
## Scanner & Non-scanner SKU



- |                             |   |                              |                             |
|-----------------------------|---|------------------------------|-----------------------------|
| 1. Receiver                 | 8. (Scanner SKU) USB connector<br>(Non-scanner SKU) | 13. Hand strap holes         | 19. Battery release buttons |
| 2. LED indicator            | 9. Speaker  | 14. Rear I/O connector       | 20. Scan button (Right)     |
| 3. Audio jack with cap      | 10. Microphone                                      | 15. (Scanner SKU only)       | 21. Battery                 |
| 4. Power button             | 11. Touch screen                                    | Scanner                      |                             |
| 5. Scan button (Left)       | 12. Front camera                                    | 16. Emergency button         |                             |
| 6. Volume buttons           |   | 17. Rear camera & Flashlight |                             |
| 7. I/O connector for cradle |   | 18. Push-To-Talk button      |                             |

# Device Parts

## MSR/ICCR SKU



- |                        |                             |
|------------------------|-----------------------------|
| 1. Receiver            | 7. I/O connector for cradle |
| 2. LED indicator       | 8. USB connector            |
| 3. Audio jack with cap | 9. Speaker                  |
| 4. Power button        | 10. Microphone              |
| 5. Scan button (Left)  | 11. Touch screen            |
| 6. Volume buttons      | 12. Front camera            |

- |                              |                             |
|------------------------------|-----------------------------|
| 13. Rear camera & Flashlight | 19. Battery release buttons |
| 14. Wrist band hole          | 20. Scan button (Right)     |
| 15. MSR/ICCR                 | 21. Battery                 |
| 16. Scanner                  |                             |
| 17. Emergency button         |                             |
| 18. Push-To-Talk button      |                             |

## Product Standard Accessories



Battery pack



Charger



AC Plug



LCD protection film



Hand strap  
(Scanner & Non-scanner SKU)



Wrist band  
(MSR/ICCR SKU)

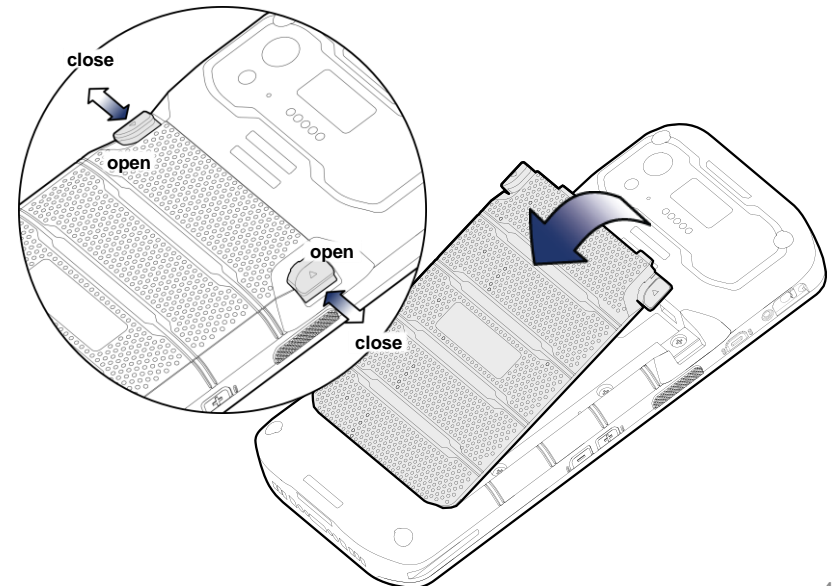
## Battery Replacement

### Insert Battery

1. Insert the battery from the bottom side (opposite side of the battery release buttons).
2. Push the battery down until it clicks.  
Confirm that the battery release buttons are completely outward, and the bottom side is fully engaged.

### Remove Battery

1. Hold the battery release buttons and press in.
2. While pressing the battery release buttons in, pull the battery up.



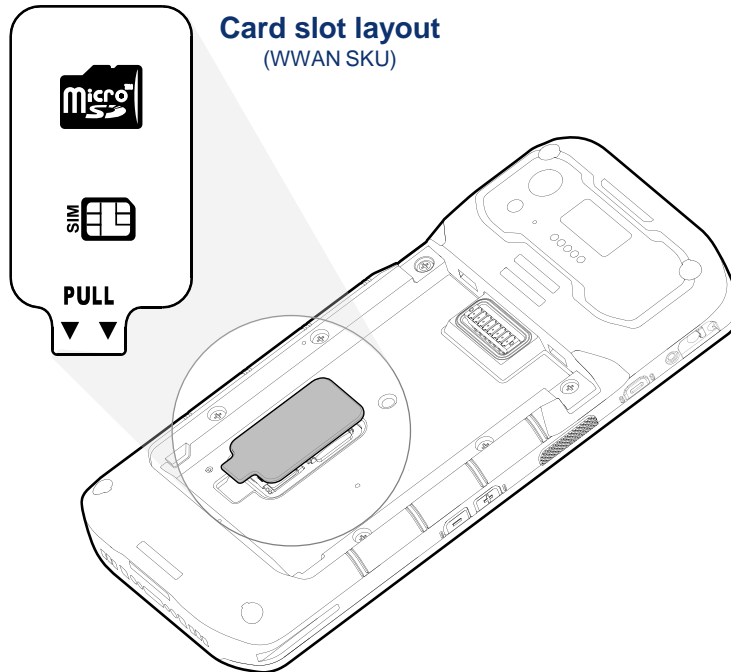
## Supported Cards & Card Slot Cover

PM95 provides

- 1 microSD card slot
- 1 nano SIM card slot – WWAN SKU only

Remove the battery, and open the card slot cover to find card slots.

You can use the handle on the bottom side of the cover to open.

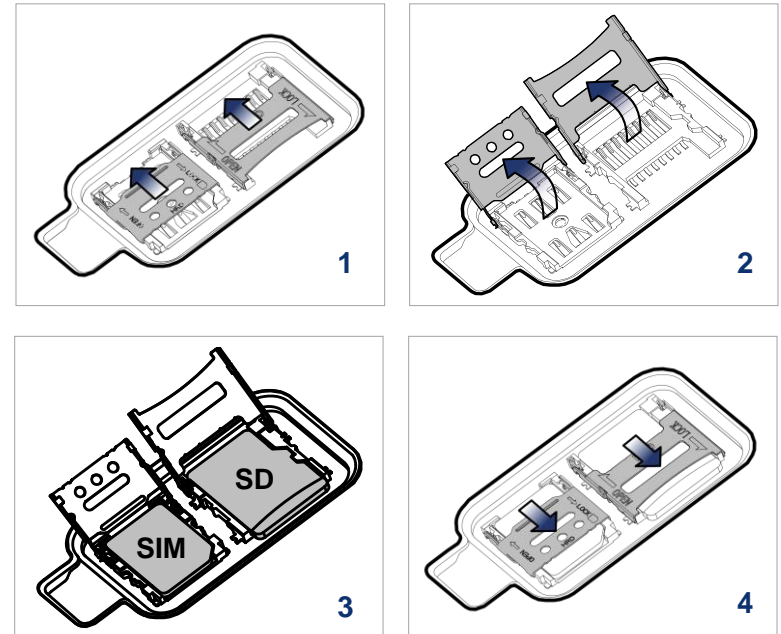


### < Notice >

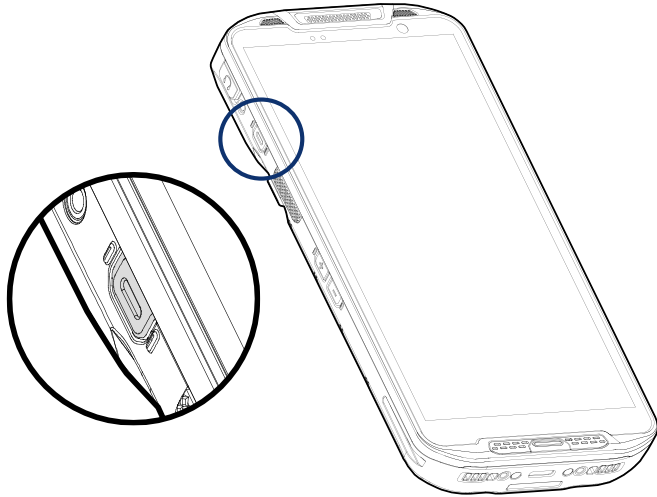
Do not throw away the cover. It affects device sealing performance against water, dust, etc.

## Install SD / SIM Card

1. Gently slide the card holder left, and swing upwards to open the holder.
2. Put the proper card with the contacts facing down, close the holder, and gently slide it right to lock.



## Turning on / off



### Turn on

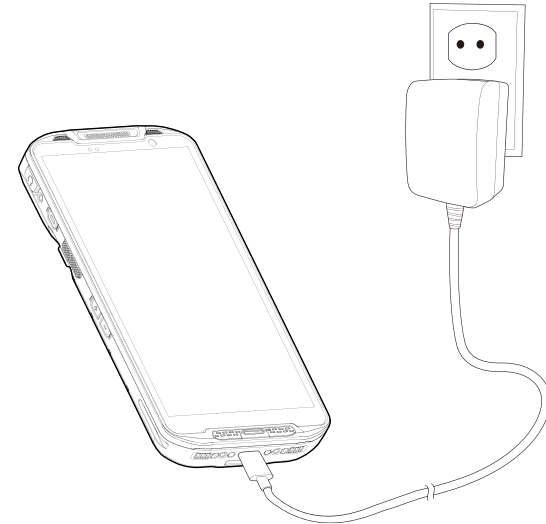
Press and hold the power button on the left side until **SMART BEYOND RUGGED** logo displays on the screen.

### Turn off

When the display is on, press and hold the power button until the power menu is shown.

Then, tap **Power off**.

## Charging the Device

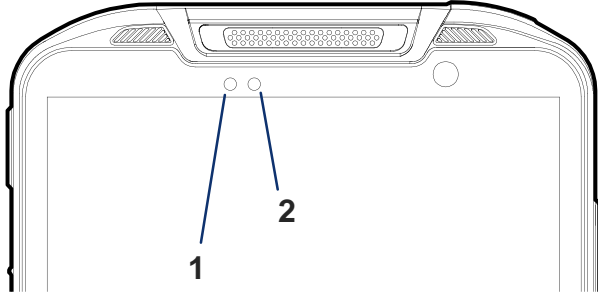


1. Assemble the AC plug and charger, and rotate the plug clockwise to engage firmly.
2. (Non-scanner SKU only) Open the USB connector's cap.
3. Connect the cable to the USB connector.
4. Provide power by plugging the power adapter to the wall socket. PM95 can also be charged with charging cradle (sold separately).

### < Caution >

1. *Always use an original charger or cradle from Point Mobile. Other chargers may damage the PM95. The device warranty does not cover any damage caused by the usage of non-original chargers.*
2. *Make sure the charger and cable is not wet.*
3. *Charge in temperatures from 0°C to 45°C.*

## LED Indicator




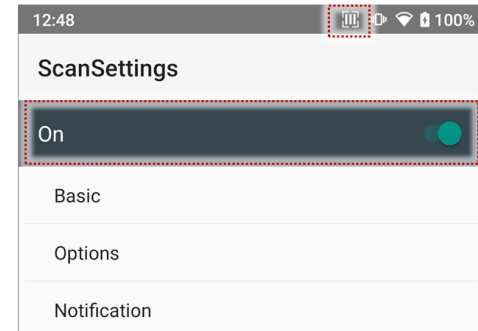
No	Indicator	Status	Indication
1	Power LED	Solid green	Device is fully charged
		Solid red	Charging the device / Battery is low
		Blinking red	Charging temperature is out of normal range / Battery is very low
		Alternately blinking red & green	Cannot recognize the battery
2	Notification LED	Blinking blue	Notification existing
		Red flash	Barcode reading failed
		Blue flash	Barcode reading success

## Scan a Barcode

< Notice > Scanner is equipped on scanner SKU and MSR/ICCR SKU.

Scanner is disabled by default, so enable the scanner from **ScanSettings** first.

Check if the scanner icon  is placed on the Status bar. Then, press a scan button on the device to scan a barcode.



Center the cross-hair aimer or red dot aimer over the barcode. You can tilt the aimer slightly for a comfortable angle to scan.



## Certification

- Model: PM95
- Trade name of certified: Point Mobile Co., Ltd.
- Manufacturer : Point Mobile Co., Ltd.
- For more certificate information,  
go to **Settings > About phone > Certificates.**

## Support

- ARS : +82-1800-3010
- FAX : +82-3397-7872
- Address : 9F Kabul Great Valley, 32, Digital-ro 9-gil,  
Geumcheon-gu, Seoul, Korea 08512
- Website : <https://www.pointmobile.com>
- E-Mail : pm\_ta@pointmobile.com