



UHF RFID SLED for PM75

RF750

User Manual

Instruction

RF750 is a UHF RFID sled for PM75. This manual provides information about basic features and using the RF750. Please read this manual carefully before using your UHF RFID reader to ensure safe and proper use.

Revision History

Revision	Date	Description
v1.0	25 Oct 2021	Initial release
v2.0	27 Mar 2023	Updated Related Document links Updated Battery safety information
v3.0	29 Jan 2024	Revised the note about charging scenario when connecting with an AC/DC adaptor Updated Service Portal URL
v3.1	20 Mar 2024	Changed manual back cover (Updated company address)

Related Document

You can see the following guide related to RF750 in [Point Mobile Knowledge Base](#).

- RFID Control User Guide – describes how to use the RFID Control and RFID Demo applications.
- RFID Control Configuration Tool User Guide – describes how to use the RFID Control Configuration Tool.

RF750 SKUs

The contents of this manual can cover the following SKUs.

SKU	Part Number	RFID Engine	Location
SKU1	RF750-00RY-2	Impinj® Indy® R2000	EU
SKU2	RF750-00RY-5		US, KR

Table of Contents

- INSTRUCTION 1**
 - Revision History 1
 - Related Document 1
 - RF750 SKUs 1
- TABLE OF CONTENTS..... 2**
- GETTING STARTED 4**
 - Device Parts 4
 - Product Standard Accessories..... 5
 - Charge the Device 6
 - Charge with AC/DC adaptor 6
 - Charging with Cradle 7
 - Turn on/off the Device..... 9
 - Replace the Battery 10
 - LED Indicator 11
 - Install PM75 12
- CONNECTING PM75..... 13**
 - Install the RFID Control App 13
 - Connect mode 14
 - Change connect mode..... 14
 - Wired Communication..... 15
 - Disconnect..... 16
 - Auto reconnect 16
 - Bluetooth Communication..... 17
 - Connect methods 17
 - Disconnect..... 22
 - Reconnect 22

Table of Contents

- CONFIGURATION SETTINGS 23**
 - Configuration Detail 23
 - Apply Configuration..... 25
 - Apply via RFID Control 25
 - Apply via JSON file 26

- WEDGE SETTINGS..... 28**
 - Wedge Detail 28
 - Apply Wedge 29
 - Apply via RFID Control 29
 - Apply via JSON file 29

- FIRMWARE UPDATE..... 30**
 - Auto Update 30
 - Manual Update 31

- READ RFID TAG 32**
 - RFID Demo..... 32
 - Read the RFID Tag..... 33

- SCAN A BARCODE 35**

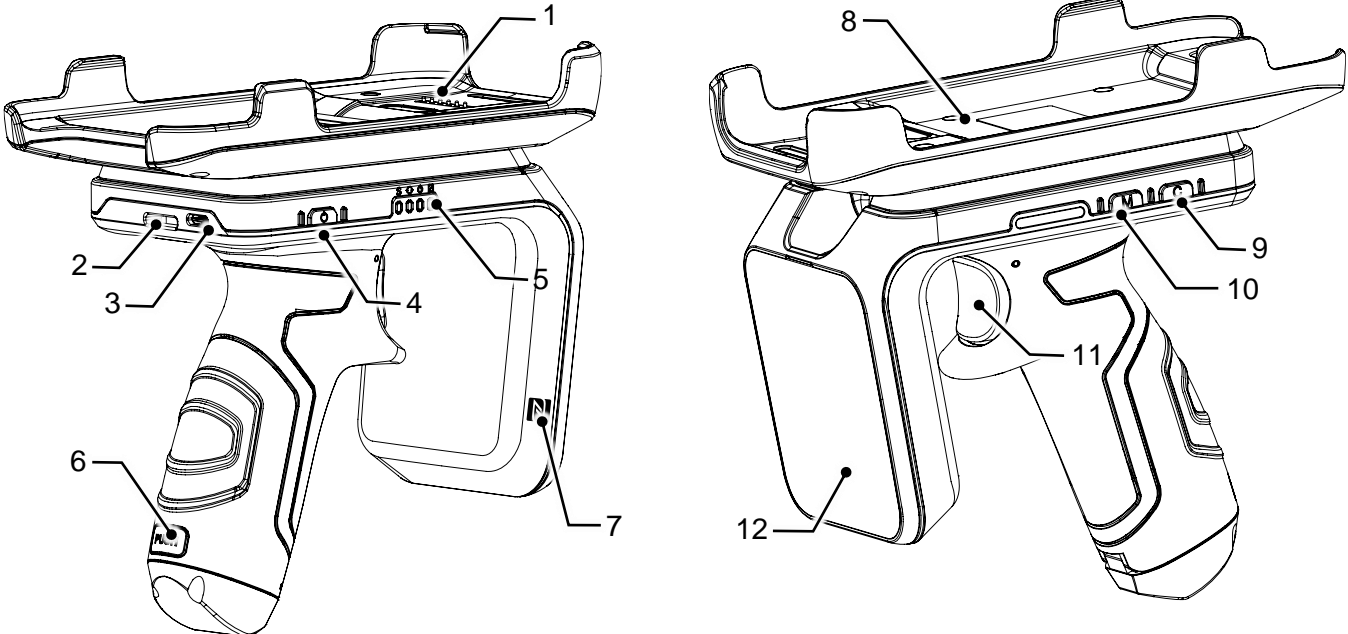
- ACCESSORY 36**

- SAFETY INFORMATION..... 38**
 - Battery Safety Information 38

Getting Started

Device Parts

Figure 1 RF750 Views

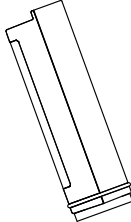
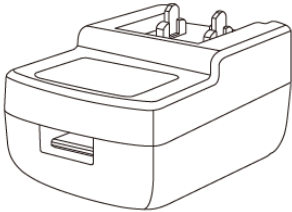
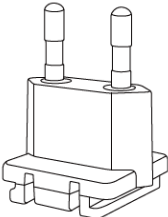

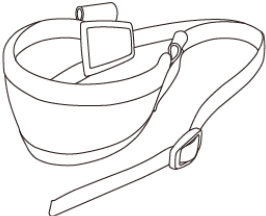


No	Name	Description
1	PM75 Connector	Connector for communication with PM75
2	Hand strap hole	Attach hand strap
3	USB Type C connector	USB 2.0 Type C. Plug USB cable to charge the RF750
4	Power button	Press and hold to turn on/off the RF750
5	LED indicator	Indicate the status of power, battery charging, connect mode, trigger mode. Find more details in LED Indicator
6	Battery release button	Press to open battery cover and replace the battery
7	NFC Tag	Connect PM75 using Tap-to-Pair
8	PM75 retention fixture	Install PM75 onto this part
9	Connect mode change button	Press and hold to change the connect mode
10	Trigger mode change button	Press and hold to change trigger mode, barcode scanning or RFID tag reading
11	Trigger button	Read RFID tags or barcode by pressing
12	UHF RFID antenna	Read RFID tags

Getting Started

Product Standard Accessories

The following items are in the product box.

Accessory	Name
	Battery pack
	5V / 2A power adapter
	AC plug
	USB type C cable
	Hand Strap

Getting Started

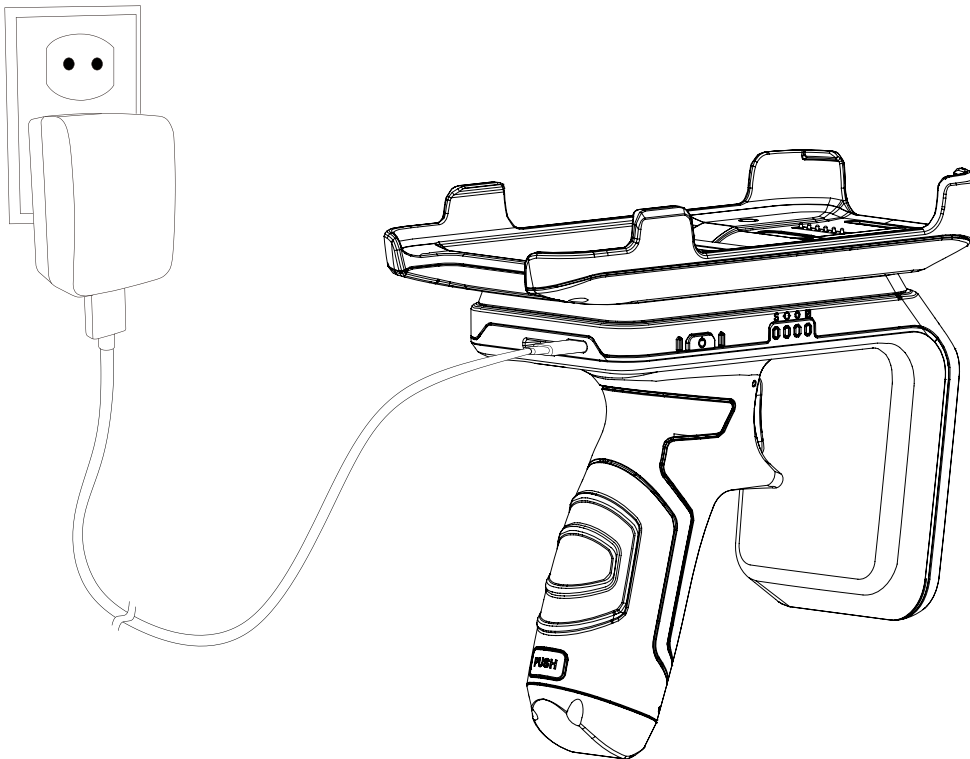
Charge the Device

⚠ Caution: Always use an original charger and cable from Point Mobile. Other chargers and cables may damage RF750. Also, make sure the connector, charger, cable is not wet. Follow the [Battery Safety Information](#) for safety of using the battery.

Charge with AC/DC adaptor

1. Assemble the AC plug and power adapter.
2. Plug USB type C cable to the power adapter.
3. Connect the cable to USB connector of RF750.
4. Provide power by plugging the power adapter to the power outlet.

Figure 2 Charge RF750 (Adapter)



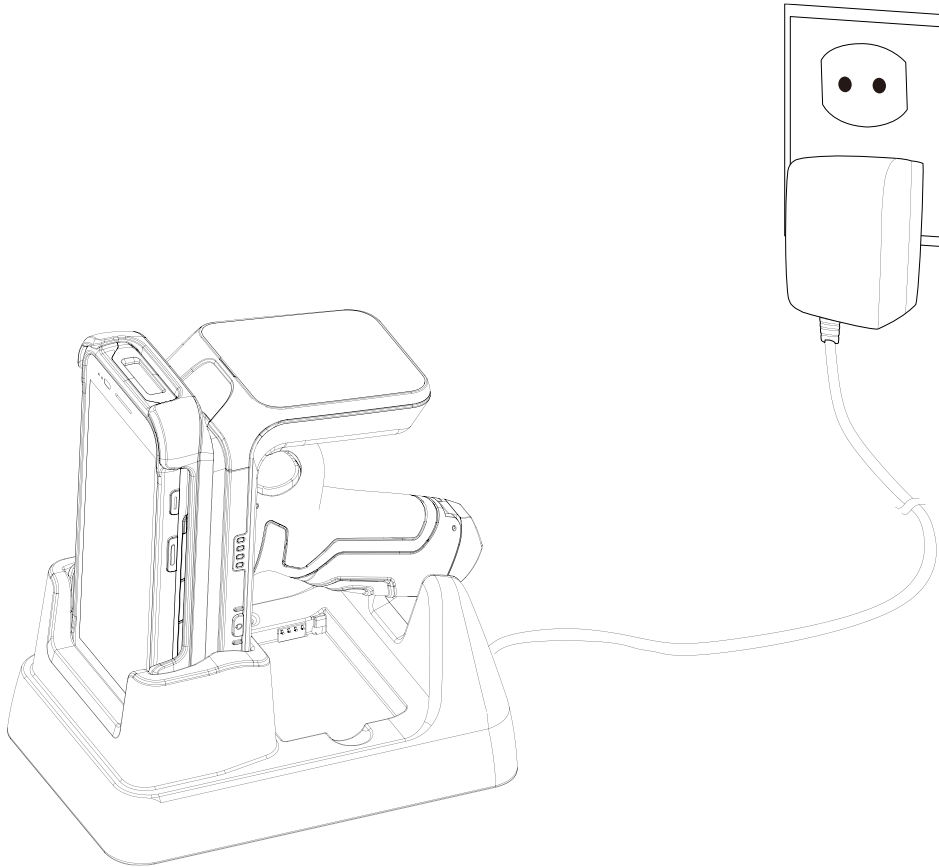
i Note: If the adapter is connected to RF750 with PM75 mounted, only RF750 will be charged. Conversely, if the adapter is connected to PM75, PM75 will be charged first, and RF750 starts charging after PM75 is fully charged.

Getting Started

Charging with Cradle

SSC (Single Slot Cradle)

Figure 3 Charging with RF750 and PM75 (SSC)



Charge the RF750 with PM75 mounted through the cradle (Optional accessory: PM75-SSC0, PM75-SSC0-5). Place the device onto the cradle as shown in Figure 3.



Note: *If you use the cradle to charge, PM75 and RF750 will be charged at the same time.*

Getting Started

4SBC (4 Slot Battery Cradle)

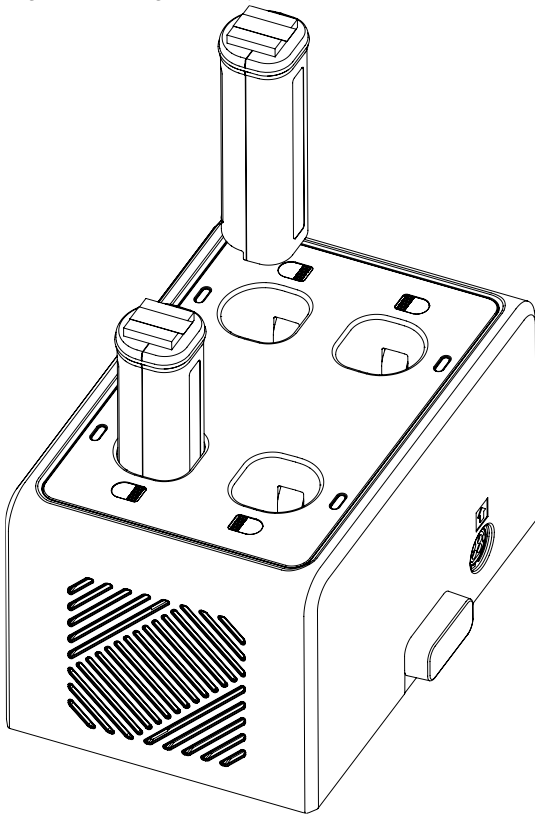
4SBC is a charging cradle for the battery of Point Mobile RFID sled models.

All RFID reader's replaceable batteries can be charged with 4SBC. And the cradle can charge up to 4 batteries at the same time.

Insert the battery into the slot with correct orientation. The LED indicator next to the slot will light up to confirm the charging. (Red – Charging / Green – Fully charged)

Find more detail in RF851 4SBC Quick Start Guide.

Figure 4 Charge battery with 4SBC

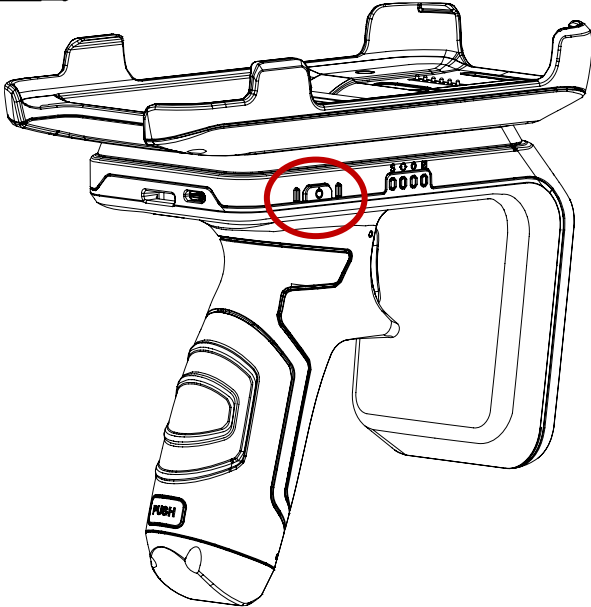
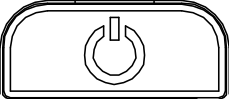


Getting Started

Turn on/off the Device

To turn on or off the RF750, press and hold the power button next to the LED indicator for 2 seconds (Until the RF750's LED indicator lights on/off).

Figure 5 RF750 Power button



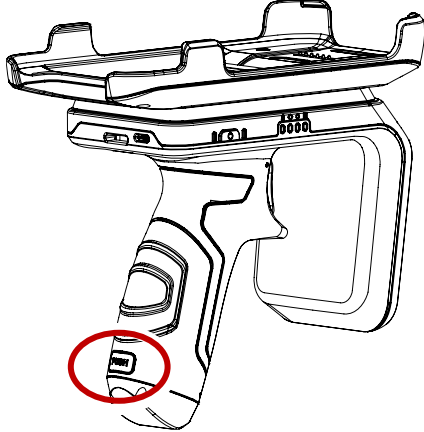
Getting Started

Replace the Battery

When the battery level is low, replace the battery with a charged one.

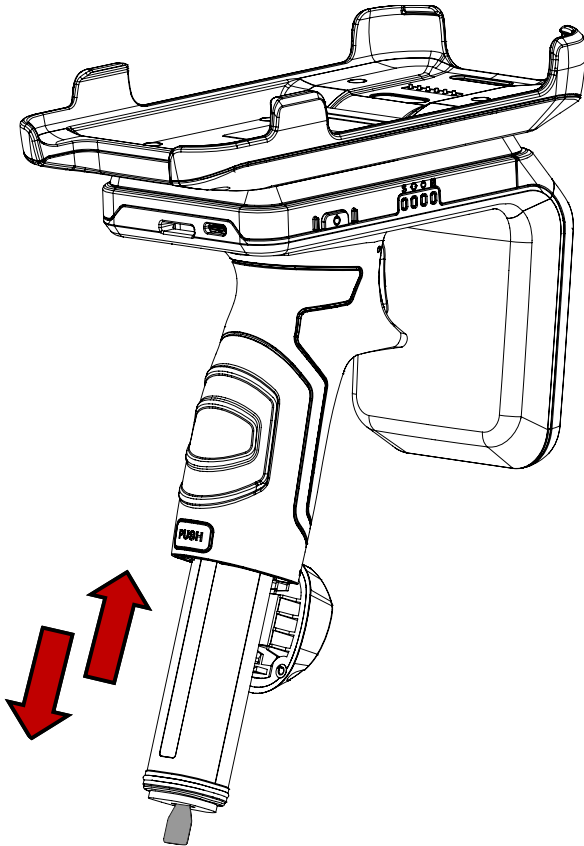
1. Press Battery release button on the back of the handle to open the battery cover.

Figure 6 Battery release button



2. Remove the battery by pulling the strap on the battery and replace the battery.

Figure 7 Replace battery

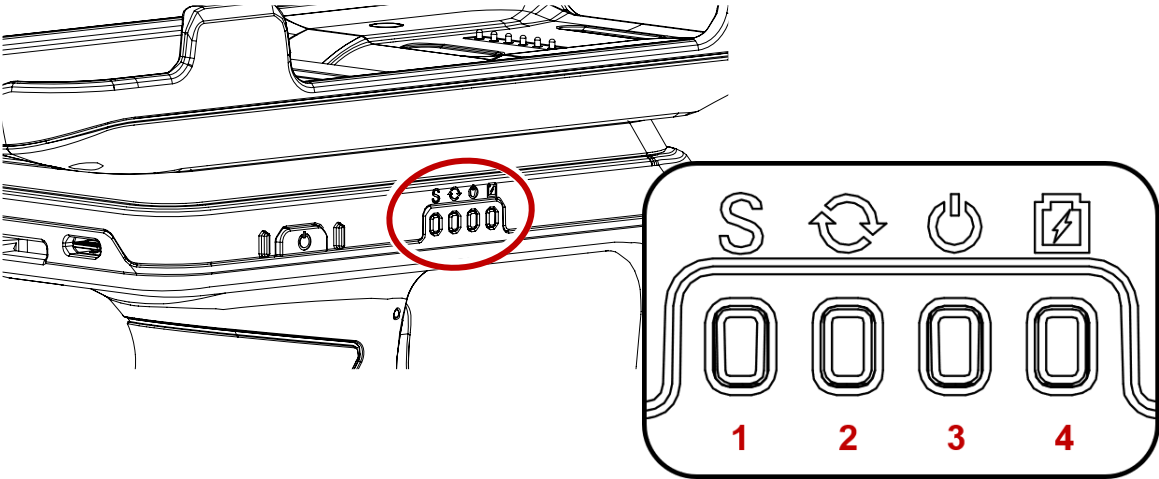


3. Close the battery cover firmly until it clicks.

Getting Started

LED Indicator

Figure 8 RF750 LED Indicator



No	Indicator	Status	Indication
1	Trigger-Mode LED	○ Turned off	UHF RFID mode
		● Solid red	Barcode scan mode
2	Connect-Mode LED	○ Turned off	Wired communication mode
		● Solid red	Bluetooth communication mode
3	State LED	● Solid red	Power on
		● Solid green	Bluetooth or Wired connected
4	Charging LED	● Solid red	Charging RF750
		● Solid green	RF750 is fully charged
		●● Alternately blinking green & red	Battery fault
		●● Blinking red	Low battery / Charging temperature is too high or low

i *Note: When RF750 enters sleep mode, all LED indicators will turn off.*

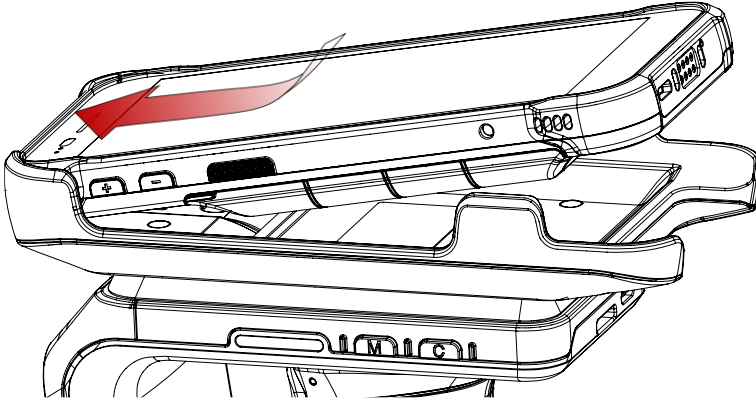
Getting Started

Install PM75

Install PM75 onto the RF750. Regardless of the battery (standard or extended), the device can be installed.

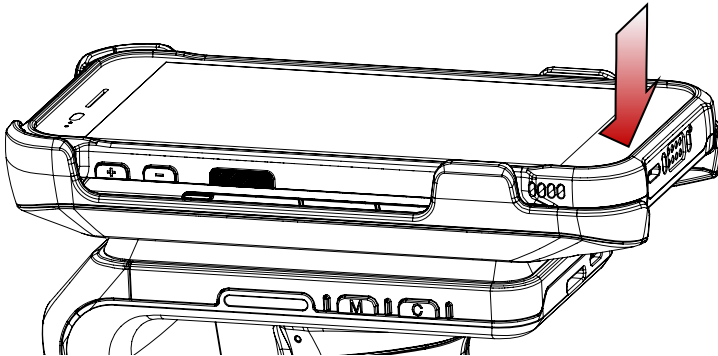
1. Insert the PM75 into the retention fixture of RF750 from the top side first.

Figure 9 Installing PM75_1



2. Push the bottom of PM75 down.

Figure 10 Installing PM75_2



3. To remove, hold the RF750 and pull up the bottom side of PM75.

Connecting PM75

Install the RFID Control App

Connect your PM75 and RF750, set up the configuration, and update the firmware of the RF750 using RFID Control application. The app can be downloaded from Point Mobile Service Portal website.

This guide only describes a few basic features of RFID Control, so please find more detail information in [RFID Control User Guide](#).

To install RFID Control,


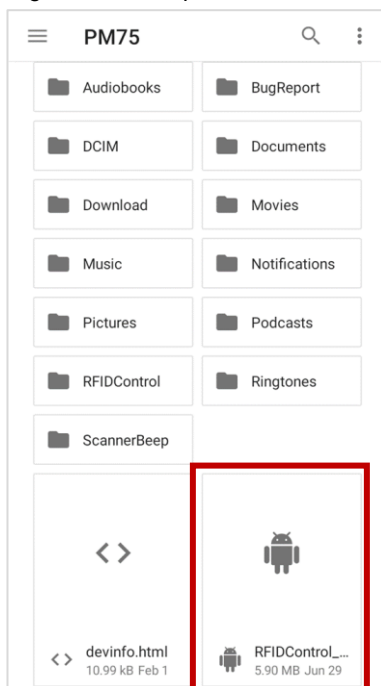
1. Access to [Service Portal](#) and log in.
2. Go to the **Download** board and find a post titled as **RFID Control Apps & Document**.
3. Download the RFID Control application.
4. Connect PM75 with PC and copy the apk file to internal storage of PM75.
5. Go to **FileExplorer**  from PM75 App drawer, and install the app.

Figure 11 FileExplorer



6. To run the app, tap **RFID Control**  from App drawer or **EmKit** .

Connecting PM75

Connect mode

RF750 supports two following connect modes.

Mode	Description
Wired communication (Default)	<ul style="list-style-type: none"> Communicate through the pogo pin connectors on the PM75 and RF750. Need to install PM75 on RF750.
Bluetooth communication	<ul style="list-style-type: none"> Communicate through Bluetooth.

Change connect mode

To change connect mode from one to another,

- Press connect mode change button of RF750 until Connect-Mode LED changes.
- Change **Open option** in RFID Control.

Figure 12 Connect mode change button

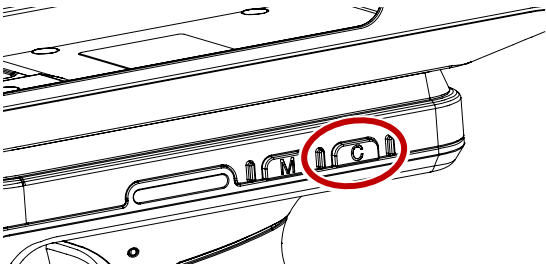
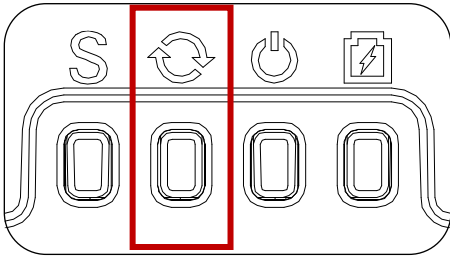
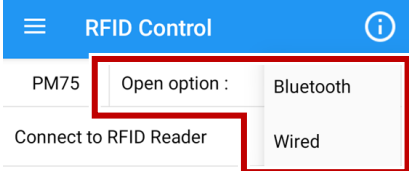


Figure 13 Connect-Mode LED



Connect-Mode LED	Turned off	Wired communication mode
	Solid red	Bluetooth communication mode

Figure 14 RFID Control - Open options



Note: Disconnect current connection before changing connect mode. Connect mode change button does not work when RF750 is already connected to any PM75.

Connecting PM75

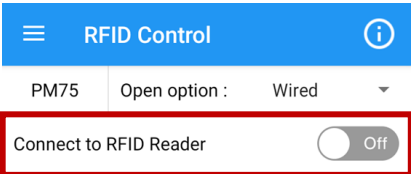
Wired Communication

Wired communication is a default connect mode for RF750 and PM75.

Because the devices communicate through pogo pin connectors, you must install PM75 on RF750 first for wired communication.

1. Install PM75 on RF750 referring to [Install PM75](#).
2. Make sure the Connect-Mode LED is turned off. (= Wired mode)
3. Launch RFID Control and check if the **Open option** set as **Wired**.
4. Turn on **Connect to RFID Reader** toggle switch.

Figure 15 RFID Control - Wired mode



5. When the devices are connected properly,
 - State LED of RF750 lights green
 - An icon indicating the RF750's battery level is shown on the status bar

Figure 16 Wired connected screen

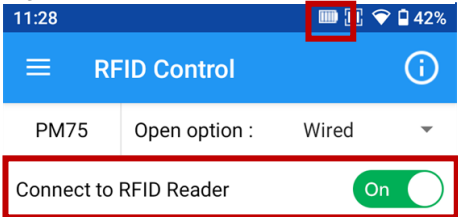
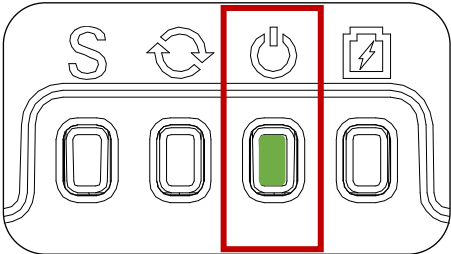


Figure 17 State LED (Wired or Bluetooth Connected)



Connecting PM75

Disconnect

In one of the following cases, the wired communication will be disconnected.

- Detach PM75 from RF750
- Turn off the **Connect to RFID Reader** toggle switch (In RFID Control)
- Change **Open option** to **Bluetooth** (In RFID Control)
- PM75 enters suspend mode
- Turn off the RF750 or PM75

Auto reconnect

Auto-reconnect is performed when RF750 and PM75, connected through wired communication once, are re-installed, or PM75 wakes up from suspend mode while installed on RF750.

For auto-reconnect, all of the following states must be satisfied.

- RF750 and PM75 are turned on
- RF750 and PM75 connected through wired communication at least one time
- **Open option** of RFID Control and connect mode of RF750 is set as **Wired**
- Previous connection is disconnected by removing PM75 from RF750
(If you disconnected it by toggle switch in RFID Control, Auto-reconnect does not perform.)

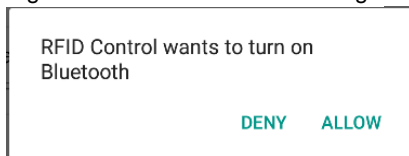
Connecting PM75

Bluetooth Communication

To connect RF750 and PM75 with Bluetooth, change the connect mode on the RF750 and RFID Control, first (Refer to [Connect mode - Change connect mode](#)).

When the **Open option** changes to Bluetooth while Bluetooth is turned off on PM75, the app tries to turn on the Bluetooth automatically. Tap **ALLOW**. If you denied, the app will be closed.

Figure 18 Bluetooth turn on dialog



Connect methods

There are two ways to establish the Bluetooth communication, Tap-to-Pair and Searching RFID reader. Choose more comfortable way.



Note: NFC Tap-to-Pair or Search RFID reader

- **NFC Tap-to-Pair:** Easy automatic pairing and connection process with a single tap
- **Search RFID reader:** Normal pairing and connection process with manual steps

Connecting PM75

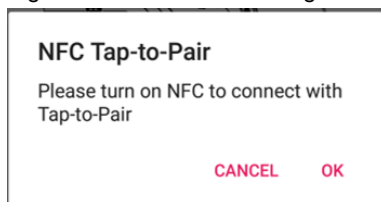
Tap-to-Pair

Tap-to-Pair method uses NFC feature, and connect RF750 and PM75 just by getting them close. An NFC tag is on RF750 UHF RFID antenna to support Tap-to-Pair.

1. Change connect mode to Bluetooth on RF750
and **Open option** of RFID Control to **Bluetooth**.
2. Tap **NFC Tap-to-Pair** on RFID Control.

Note: NFC is enabled by default. But if NFC is turned off, app will ask to turn on NFC. Tap **OK** and tap **NFC toggle switch** to enable NFC.

Figure 19 NFC turn on dialog



Or before access the Tap-to-Pair screen, enable NFC by one of below ways.

- **Settings > Connected devices > Connection preferences > NFC > enable switch**
- **Open Quick setting panel > enable NFC**

Figure 21 NFC_Settings

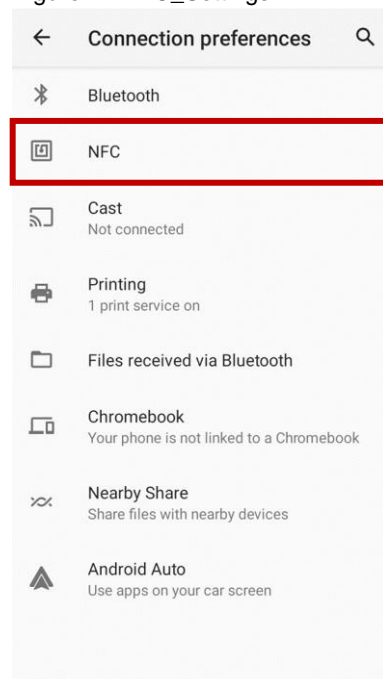
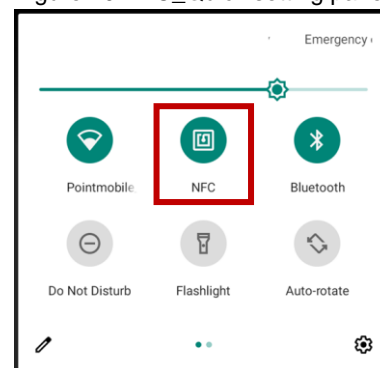


Figure 20 NFC_Quick setting panel



Connecting PM75

3. Referring to NFC antenna area of PM75, bring the PM75 close to the NFC logo of RF750 as the picture on the screen. And then, allow the connection in the dialogs.

Figure 22 RF750 NFC tag location

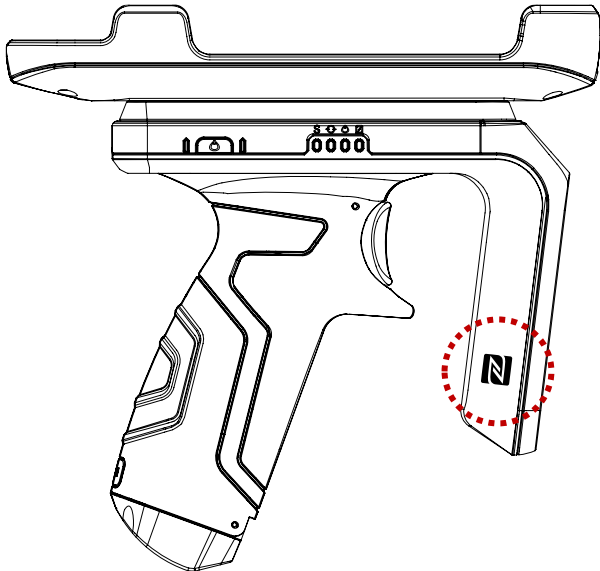
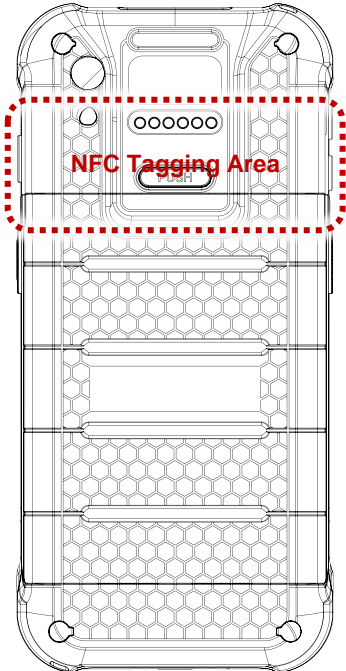


Figure 23 PM75 NFC tagging area



4. Check the device and reader are connected properly

- Enabled **Connect to RFID Reader** toggle switch and connected RF750's name is displayed
- An icon indicating the RF750's battery level is shown on the status bar
- RF750's state LED lights green

Figure 24 Bluetooth connected screen

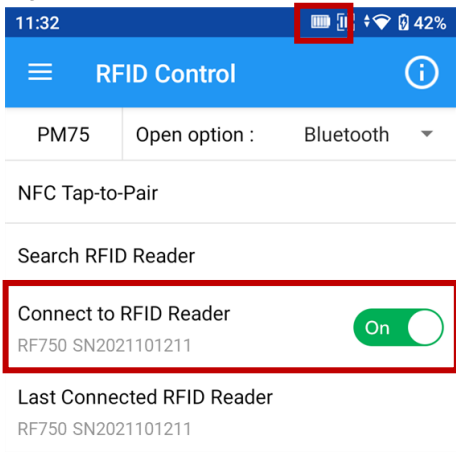
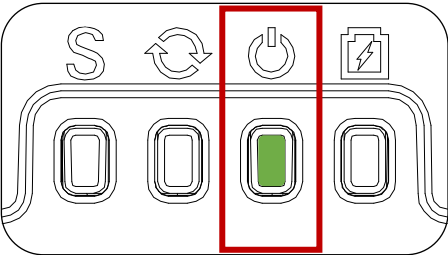


Figure 25 State LED (Wired or Bluetooth Connected)



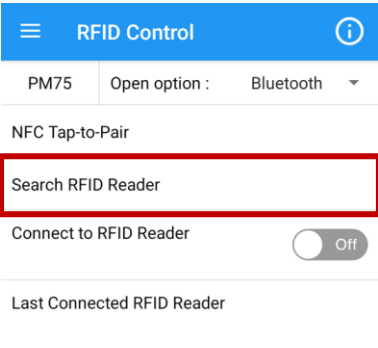
Connecting PM75

Search RFID Reader

Search nearby RF750 and choose one of the RF750.

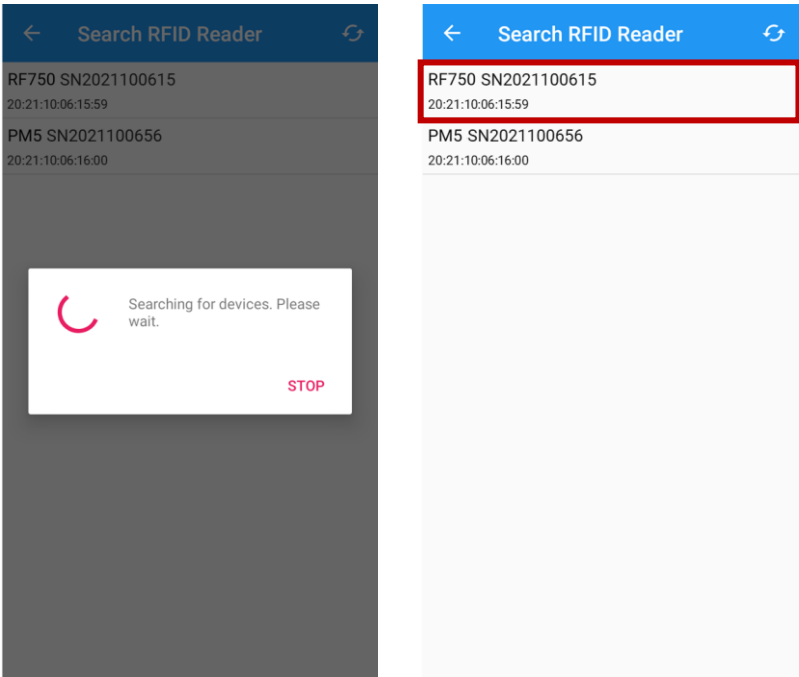
- 1. Change connect mode to Bluetooth on RF750 and **Open option** of RFID Control to **Bluetooth**.
- 2. Tap **Search RFID Reader** on RFID Control

Figure 26 Search RFID Reader



- 3. When desired RF750 name appears, stop searching by tapping **STOP** and select the name

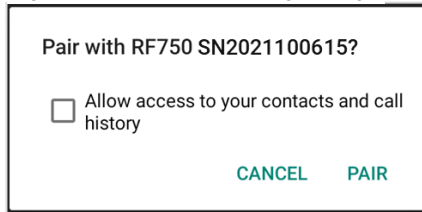
Figure 27 Searching RFID reader



Connecting PM75

4. Allow the connection in the dialogs

Figure 28 Bluetooth pairing dialog



5. Check below items to confirm that RF750 is connected properly (Refer to Figure 24, Figure 25)

- Enabled **Connect to RFID Reader** toggle switch and connected RF750's name is displayed
- An icon indicating the RF750's battery level is shown on the status bar
- RF750's state LED lights green

Connecting PM75

Disconnect

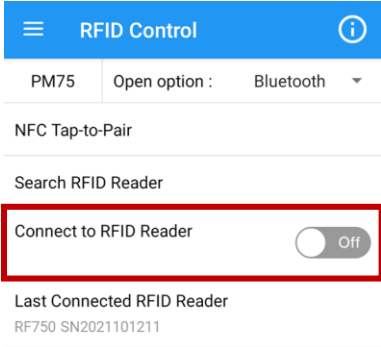
In one of the following cases, the Bluetooth communication will be disconnected.

- Change **Open option** to **Wired** (In RFID Control app)
- Disable Bluetooth from PM75
- Turn off the **Connect to RFID Reader** toggle switch (In RFID Control app)
- Turn off the RF750 or PM75

Reconnect

To reconnect to the last connected RFID reader, tap **Connect to RFID Reader** toggle switch and wait until the devices are connected.

Figure 29 Reconnect toggle switch



Configuration Settings

Configuration Detail

RF750 configuration contains below settings. Find the details of each setting from [RFID Control User Guide](#).

Settings		Range or Options	Default Value	
Beep Volume		Mute Low High	High	
Vibrator		On / Off	Off	
Radio Power		-30 ~ 0 (0 ~ 30 dBm)	0 (30 dBm)	
Tx Cycle	Tx ON duration	40 ~ 400	200	
	Tx OFF duration	0 ~ 255	0	
Tx Data Format		TAG_DATA PREFIX_TAG_DATA TAG_DATA_SUFFIX PREFIX_TAG_DATA_SUFFIX	TAG_DATA	
Data Format		PC_EPC_CRC PC_EPC EPC_CRC EPC_ONLY	PC_EPC_CRC	
Filter duplicate tags		On / Off	Off	
Filter (Filter 1, 2)	Tag Pattern		(Blank)	
	Offset	0~62	0 (digit)	
	Select	Matching tags Non-matching tags	Matching tags	
	Enable filter	Enable / Disable	Disable	
Inventory Config	Inventory Param	Session	0 / 1 / 2 / 3	1
		Q	0 ~ 15	5
		Flag	A / B / A or B	A
	Operation Mode	Mode	Continuous Mode Single Mode	Continuous Mode
		Timeout	0 ~ 120	0 (Infinite)

Configuration Settings

Settings		Range or Options	Default Value
Tag Focus		On / Off	On
Fast ID		On / Off	Off
Continuous Read		On / Off	On
Auto Read	On / Off	On / Off	Off
	Auto read interval	1 ~ 99	1 (sec)
Save Log		On / Off	Off
Save tag list to csv		On / Off	Off
Sleep		30 seconds 1 minute 5 minutes 10 minutes 30 minutes 1 hour 2 hours	10 minutes
Reset RFID Settings			

Configuration Settings

Apply Configuration

To adjust configuration, use RFID Control app or importing JSON file.

Apply via RFID Control


After connecting the devices, tap  to open the side menu bar and select **Configuration**. And then, adjust each configuration manually using RFID Control interface.

Figure 30 Side menu bar - Configuration

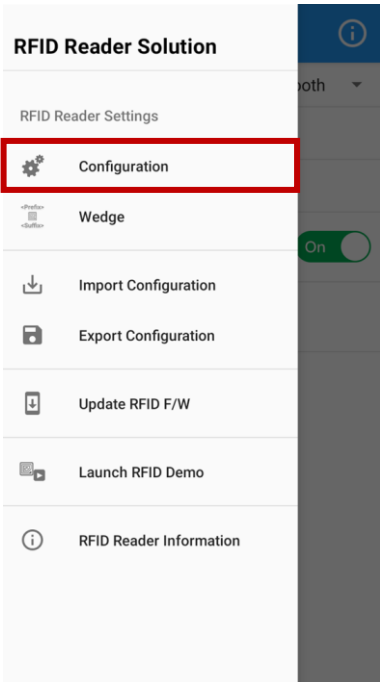
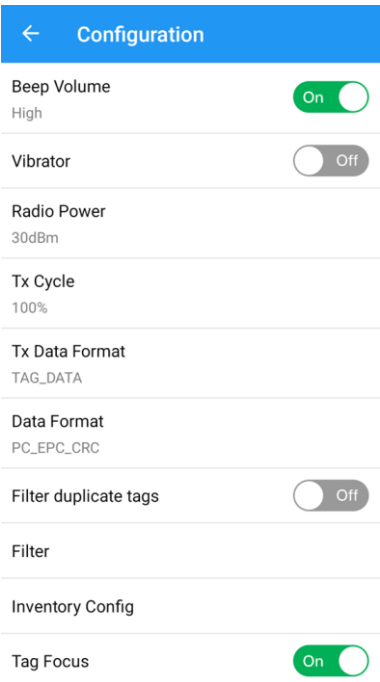


Figure 31 Configuration



Configuration Settings

Apply via JSON file

You can also apply the configuration by importing the JSON file which contains configuration.

The JSON file for configuration update can be made by RFID Control Configuration Tool. And it must be named as **Configuration.json** and copied into **RFIDControl/RFIDJsons** folder of host device's internal storage.



Note: Must follow the file name and path. Otherwise, RFID Control cannot find the file.

You can perform configuration update automatically or manually. Refer to below table to identify the differences and choose more suitable on your working environments.

Methods	Description
Auto Update	<ul style="list-style-type: none"> Set auto update settings in JSON file Update configuration every time the RF750 is connected while RFID Control is running
Manual Update	<ul style="list-style-type: none"> Perform regardless the auto update is enabled or disabled Perform update immediately

Auto Update

To set up the auto update, enable and save the auto update setting (**Auto update (JSON)**) in **Configuration.json** file which contains the configurations. (Find more detail in [RFID Control Configuration Tool User Guide.](#))

And then, launch RFID Control without any connection with RF750 to save the auto update setting on the app.

When you set up Auto update,

- Auto Update will be performed every time RF750 is connected while RFID Control is running
- Auto Update setting value will be maintained until next reading JSON file
 - JSON file is read when RFID Control is launched without any connection with RF750

Configuration Settings

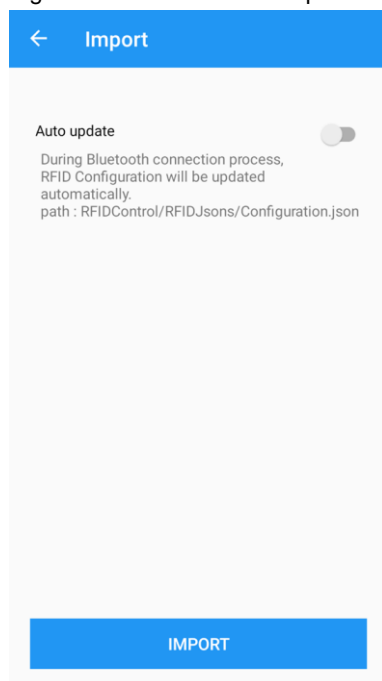
Manual Update

Manual update can be performed regardless the auto update is enabled or disabled. To apply the configuration immediately, perform update manually.

1. Make **Configuration.json** file and copy it to specified folder in internal storage of host device
2. Tap **☰** to open the side menu bar and select **Import Configuration**.
3. Tap **IMPORT** and wait until the process is done

(There is no need to select JSON file because app will automatically find and use the **Configuration.json** file in the **RFIDControl/RFIDJsons** folder)

Figure 32 RFID Control - Import Configuration



Wedge Settings

Wedge Detail

Wedge contains the below values. Find the details of each setting from [RFID Control User Guide](#).

Settings	Options	Default Value
Result Type	Callback (User Message) Keyboard Event Clipboard (KEYCODE_PASTE) Clipboard (Ctrl+V) Intent Broadcast Custom Intent	Clipboard (KEYCODE_PASTE)
Terminator	None Space Tab LF Tab & LF	None
Prefix		(Blank)
Suffix		(Blank)

Wedge Settings

Apply Wedge

To adjust wedge setting, use RFID Control app or importing JSON file.

Apply via RFID Control

After connecting the devices, you can access **Wedge**. Tap  to open the side menu bar and select **Wedge**. And then, adjust desired configuration.

Figure 33 Side menu bar - Wedge

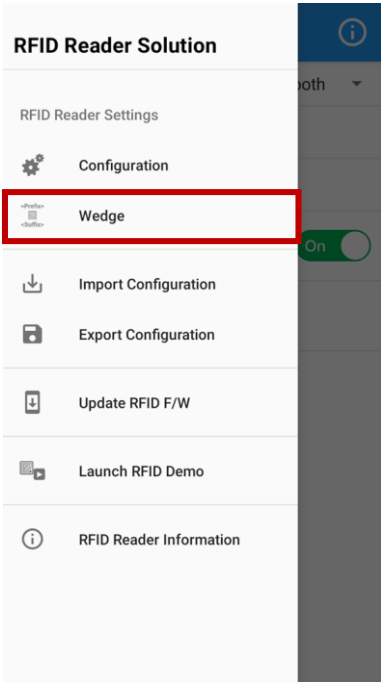
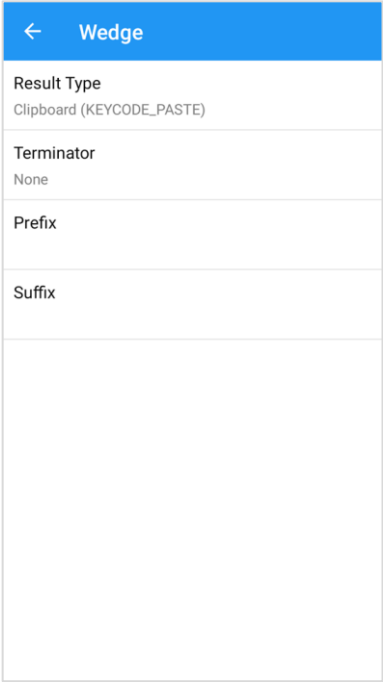


Figure 34 RFID Control - Wedge



Apply via JSON file

See [Apply via JSON file in Configuration Settings](#). If the JSON file contains wedge setting values, Wedge settings are applied at the same time when you apply the configuration settings via the JSON file.

Firmware Update

Point Mobile provides up-to-date RF750 firmware in [Service Portal](#). The firmware files are provided by RFU file format, and it contains Bluetooth firmware and MCU firmware both.

To perform firmware update, download the RFU file from [Service Portal](#) and copy it into the specified folder of host device's internal storage.



Note: Must copy the RFU file to **RFIDControl/RFIDRFUs** folder of host device's internal storage. Otherwise, the app cannot find the file.

You can perform update automatically or manually. Refer to below table to identify the differences and choose more suitable on your working environments.

Methods	Description
Auto Update	<ul style="list-style-type: none"> Set auto update settings and firmware filename in JSON file Update Firmware every time the RF750 is connected via Bluetooth while RFID Control is running
Manual Update	<ul style="list-style-type: none"> Select firmware file manually in RFID Control Perform update immediately



Note: RF750 must be connected via Bluetooth for firmware update.

Auto Update

To set up the auto update, enable and save the auto update setting (**Auto update (RFU) & RFU filename**) in **Configuration.json** file (Find how to set auto update in JSON file in [RFID Control Configuration Tool User Guide](#)) and copy the JSON file into **RFIDControl/RFIDJsons** folder of host device.

And then, launch RFID Control without any connection with RF750 to save the auto update setting on the app.

When you set up Auto Update,

- Auto Update will be performed...
 - Every time the RF750 is connected via Bluetooth while RFID Control is running & RFU file version is different from current RF750 firmware version
- Auto Update setting value will be maintained until next reading JSON file
 - JSON file is read when RFID Control is launched without any connection with RF750

Firmware Update

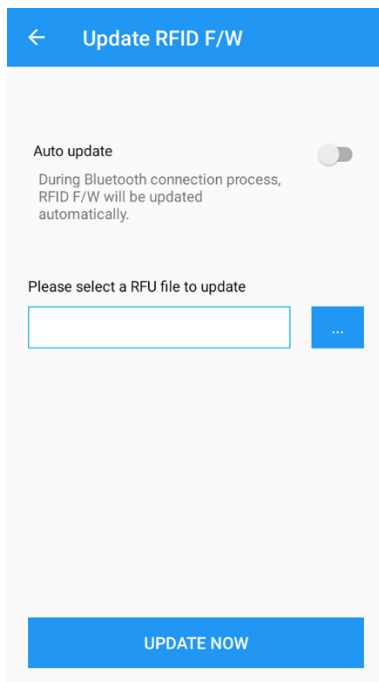
Manual Update

Manual update can be performed regardless the auto update is enabled or disabled. To update the firmware of RF750 manually,

1. Execute RFID Control and connect RF750 via Bluetooth to host device
2. Tap  and select **Update RFID F/W**
3. Tap  to browse the RFU file you prepared

(The file must be in **RFIDControl/RFIDRFUs** folder.)

Figure 35 RFID Control – Update RFID F/W





4. Select the RFU file and Tap **UPDATE NOW**
5. Wait until the update process is done

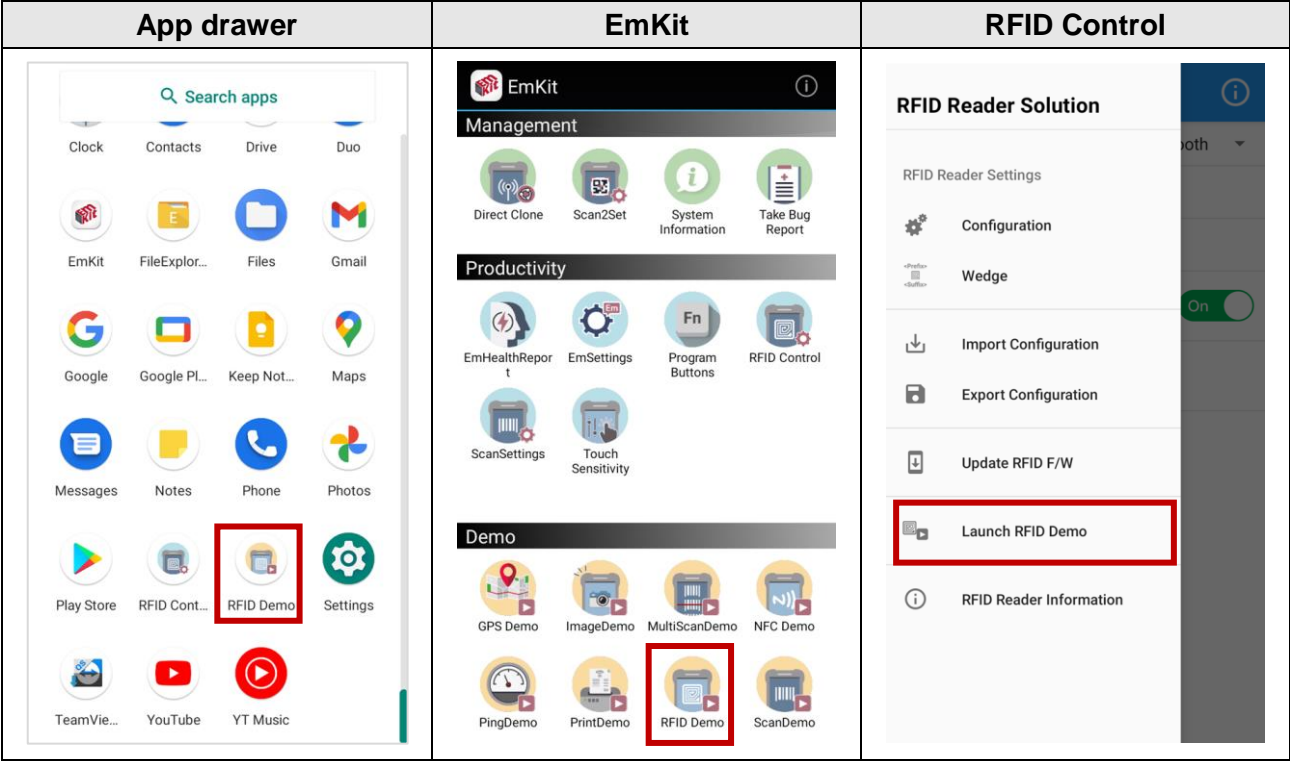
Read RFID Tag

RFID Demo

You can demonstrate the function of reading an RFID tag with RFID Demo. RFID Demo will be installed together with RFID Control.

There are two ways to launch RFID Demo,

- Tap **RFID Demo**  from App drawer or **EmKit** 
- Open the side menu bar on the RFID Control and tap **Launch RFID Demo**



Read RFID Tag

Read the RFID Tag

Before read RFID tag, make sure that the Trigger-Mode LED lights off. Turned off Trigger-Mode LED means that RF750 is in UHF RFID mode.

If the LED lights on red, press and hold the Trigger-mode change button until the LED turns off because red LED means RF750 is in barcode scan mode.

Figure 36 Trigger mode change button

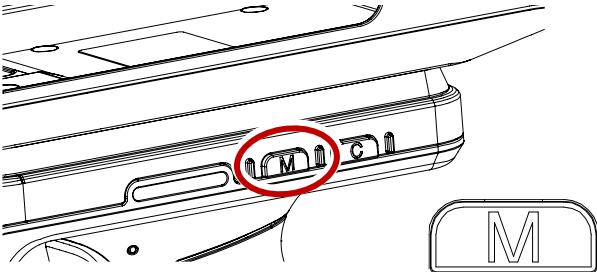
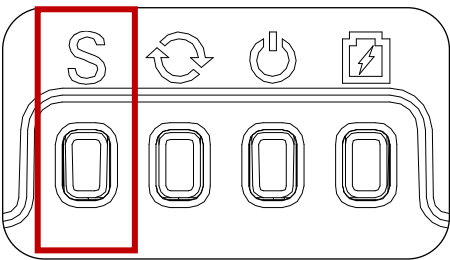


Figure 37 Trigger-Mode LED (UHF RFID mode)



Read RFID tags after connecting the RF750 to your PM75. To read RFID tags, aim the tag and then press the trigger button of RF750 or tap the **Read RFID Tag** button on the screen.

Figure 39 Reading RFID tag

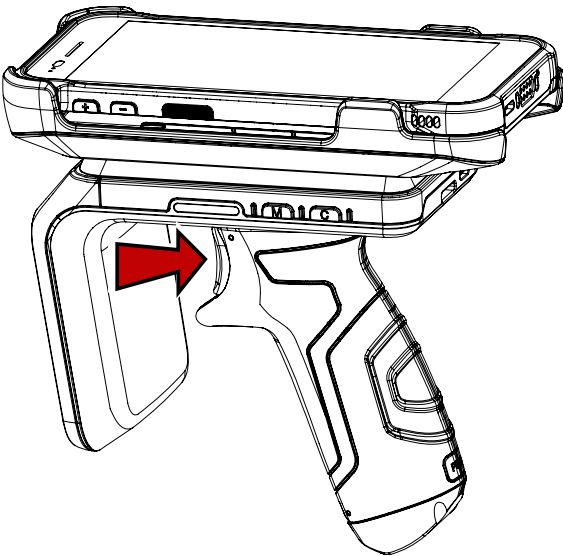


Figure 38 RFID Demo - Read tag

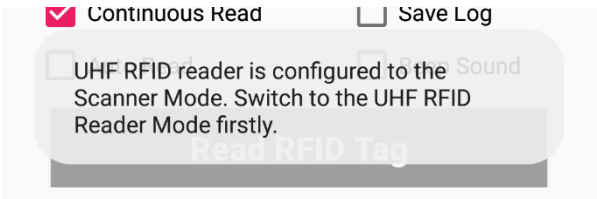


Read RFID Tag



Note: Make sure the RF750 is in UHF RFID mode. If you try to read RFID tags using RFID Demo app while RF750 is in **barcode scan mode**, it does not work and a toast message pops up on the screen.

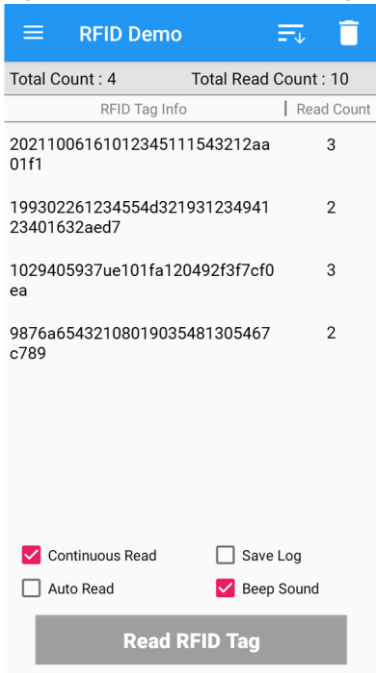
Figure 40 RFID Demo - Barcode scan mode message



For demonstrating barcode scan function, use Scan Demo application.

Tap to sort the delivered tag data in order and tap to clear the tag data.

Figure 41 RFID Demo - Read tags



RFID Tag Info	Read Count
20211006161012345111543212aa01f1	3
199302261234554d32193123494123401632aed7	2
1029405937ue101fa120492f3f7cf0ea	3
9876a65432108019035481305467c789	2

Scan a Barcode

If you want to scan a barcode instead of RFID tag, change the trigger mode of RF750. Trigger button will activate the barcode scan action.

1. Press and hold the trigger mode change button until the Trigger-Mode LED turn on red.

Figure 42 Trigger mode change button

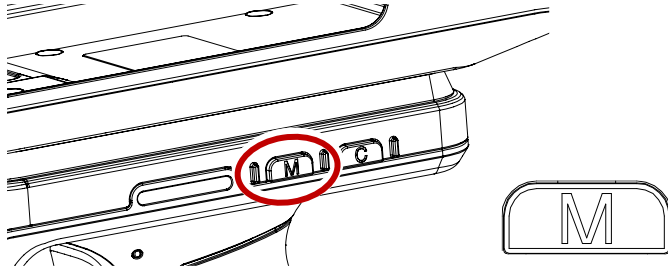
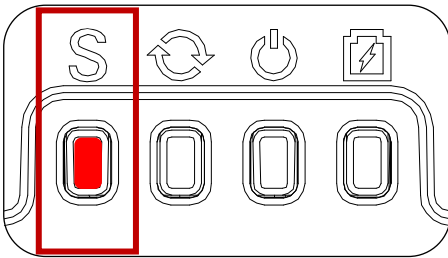



Figure 43 Trigger-Mode LED (Barcode scan mode)

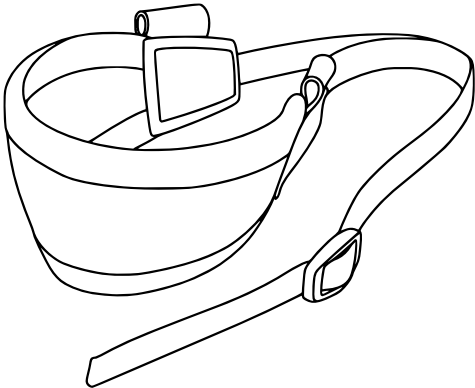


2. Execute **Scan Demo**  or scanner application, and then scan a barcode by pressing the trigger button of RF750.
3. Check the barcode information displayed on the app.

Accessory

A hand strap is enclosed in the RF750 package. Attach the strap and carry the reader more comfortably.

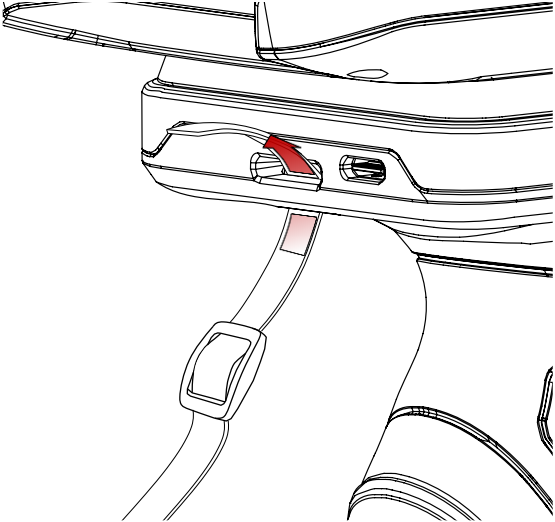
Figure 44 Hand strap



To attach the hand strap,

1. Thread the strap through the hand strap hole next to the USB connector.

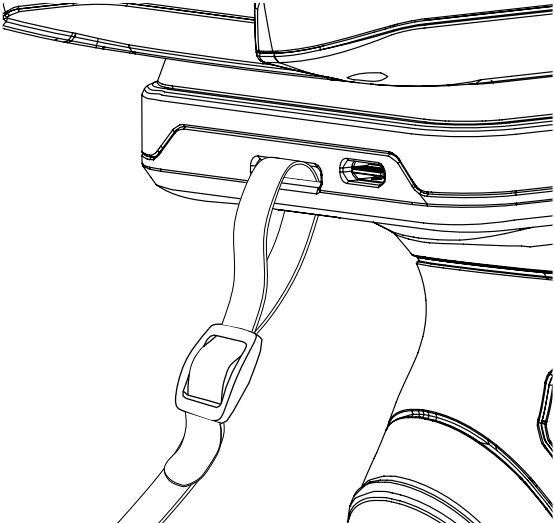
Figure 45 Attach hand strap_1



Accessory

- 2. Slide the strap through the buckle at the appropriate length.

Figure 46 Attach hand strap_2



Safety Information

Battery Safety Information

Follow the battery safety guidelines for safe usage, storage, and disposal of Li-ion batteries. Improper battery use may result in a fire, explosion, or other critical hazards.

Battery Safety Guidelines

- Use only Point Mobile approved batteries and charging accessories. Other batteries and chargers may damage the device or result in a fire, leakage, or other hazards.
- Do not expose the battery to excessive heat or cold.
- Do not use or store the battery in or near areas that might get very hot, such as in a parked vehicle, near a heat duct or close to other heat sources.
- Do not allow objects that may cause a short circuit, such as metal objects, corrosive substances, or liquids like water, to contact the battery.
- Do not disassemble, crush, bend, shred, press, or other actions that may damage or deform the battery.
- Do not use or replace the battery on the go or from a high location. Dropping may result in an explosion or fire.
- Do not put any labels, stickers, tags, etc. on the device or battery. Performance of the device or battery, such as sealing, drop, or tumble, could be affected.
- Close supervision is necessary when used near children to avoid the risk of injury.
- If battery leakage is observed, avoid any contact with the skin or eyes and properly dispose of the battery. If contact has been made, wash the affected area with water for 15 minutes and seek medical advice.
- If you notice any type of damage to the battery, such as swelling, dents, and leaks, stop using it immediately and contact Point Mobile.

Battery Charging Guidelines

- Charge the battery in a clean, cool, dry, and ventilated environment.
- Separate the charger from the battery as soon as possible when the battery is fully charged.
- Battery performance can degrade due to the stress of daily charging and discharging. Batteries typically need to be replaced after 300 to 500 charging cycles (full charge-discharge cycles) or when the battery capacity has been reduced to 70 ~ 80% of its original capacity. The actual number of charging cycles varies based on usage patterns, temperature, age, and other factors.

Safety Information

Battery Storage / Disposal Guidelines

- Store the batteries in a clean, dry and ventilated environment within ambient temperature ranges of $20\pm 5^{\circ}\text{C}$.
- For safety regulations, batteries are charged to below 20~30% of full capacity during production.
- When not using batteries for a long period, charge the battery for 30 minutes to 1 hour at least once every 6 months to prevent full discharge and keep the performance.
- Batteries should be stored separately when storing for long periods. Disconnect from any device, charger, or cradle.
- Dispose of used batteries promptly according to local disposal regulations.
- Do not dispose of the battery in fire. It may cause explosion.



Notice: The battery is consumable. Point Mobile provides a warranty for the battery for 12 months after purchase.

If you suspect the battery swelling, change the battery immediately and contact Point Mobile.



Point Mobile. Co., Ltd.

Offline

Tel: +82-2-3397-7870~1

Fax: +82-2-3397-7872

Address: 26F, Building A, Gasan Publik,
178, Digital-ro, Geumcheon-gu, Seoul, Korea 08513

Online

Website: <https://www.pointmobile.com>

E-mail : pm_ta@pointmobile.com