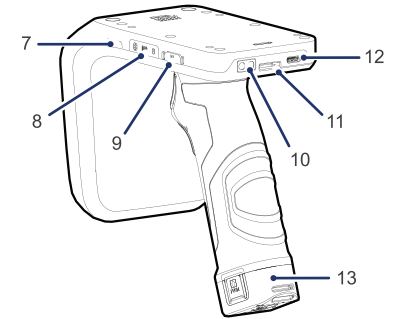
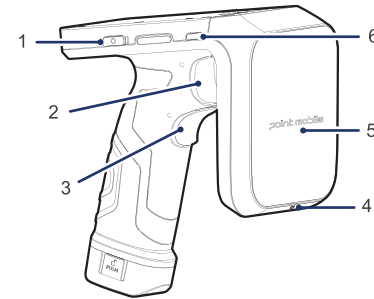


Device Parts

Quick Start Guide

RF88



1. Power button
2. Upper trigger button
3. Lower trigger button
4. NFC tag for Bluetooth connection
5. RFID antenna
6. Notification LED

7. Notification LED
8. LED indicators
9. Mode button (Batch or Connect mode)
10. I/O connector
11. Hand strap hole
12. USB type-C connector
13. Battery & Battery locker

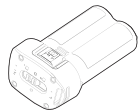
v4.0 Feb 2024
Copyright 2024 Point Mobile Co., Ltd. All rights reserved.



Standard Package



RF88



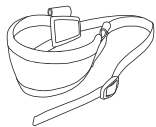
Battery



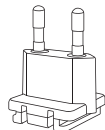
5V 2A Power Adapter



USB Type C Cable



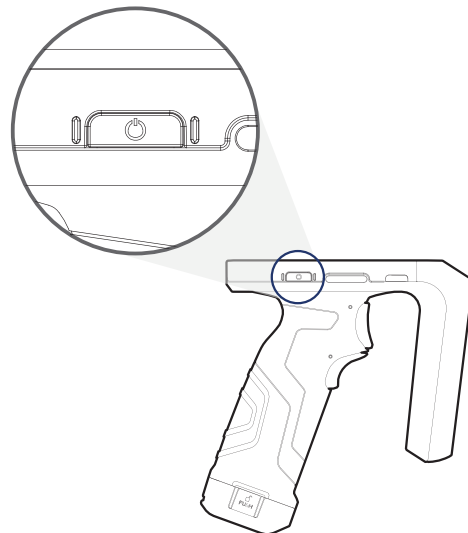
Hand Strap



AC Plug

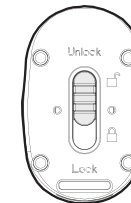
Turning On / Off

Press and hold the power button at least 3 seconds to turn on or off the RF88.



Battery Replacement

1. Set the battery locker as **Unlock** ☐.

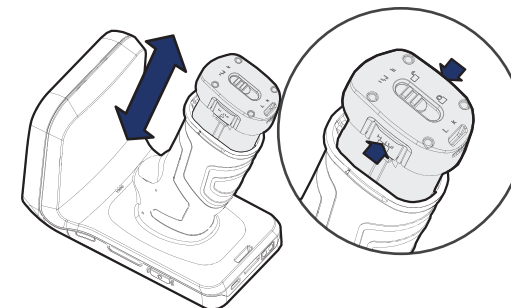


Unlock
↕
Lock

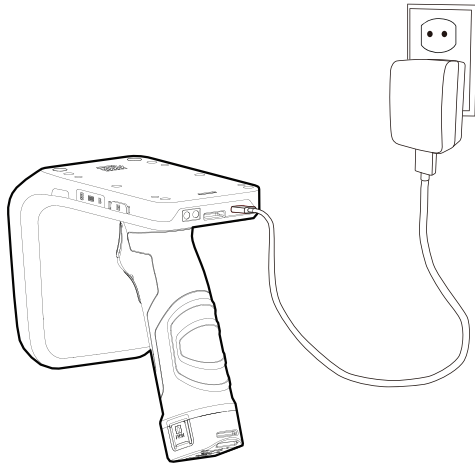
2. Press the battery release button on the both sides, and pull the battery out.

3. Insert a new or charged battery.

4. Set the battery locker as **Lock** ☑.



Charging



1. Assemble the power adapter and USB-C cable.
2. Connect the cable to RF88's USB connector.
3. Plug the power adapter to power outlet.

<Note>

The RF88 and host device won't be charged together by adapter.
When connecting the charger to RF88, only RF88 will be charged.

<Caution>

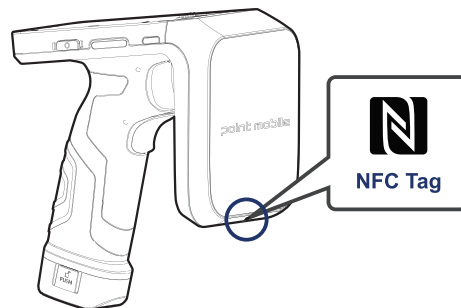
1. Always use an original charger from Point Mobile. Other chargers may damage the RF88.
The device warranty does not cover any damage caused by the usage of non-original charges.
2. Make sure the charger and cable is not wet.
3. Charge in temperatures from 0°C to 45°C.

Connecting (Bluetooth)

Connect RF88 to a host device with Bluetooth using Search to Pair or NFC Tap-to-Pair.

RFID Control app is required. Download the app from Service Portal and install on the host device.

1. Launch the RFID Control app, and set the connect type as Bluetooth.
2. (PM90 bracket only) Check if the RF88's Bluetooth LED blinks. If not, press the mode button twice.
3. **Search to Pair:** Tap **Search** to search the nearby RFID readers, and select a reader.
NFC Tap-to-Pair: Align host device's NFC area to RF88's NFC tag (below figure).
4. Enter the pairing PIN, **0000**.



LED Indication

LED Type: Power Bluetooth **B** Batch Notification

Battery Level (Press button to activate)	Battery level 50 ~ 100%	Solid green
	Battery level 16 ~ 49%	Solid amber
	Battery level <= 15%	Solid red
Charging	Fully Charged	Solid green
	Battery charging level 15 ~ 100%	Solid amber
	Battery charging level < 15%	Solid red
	Charging error	Blinking red
Connection	(PM90 bracket only) Bluetooth connect mode	Blinking (Blue)
	Wire connected / (PM90 bracket only) Wire connect mode	Depending on battery level (Green / Amber / Red)
	Bluetooth connected	On (Blue) Depending on battery level (Green / Amber / Red)
RFID Reading	Reading RFID tag	Green flash
	RFID reader is in continuous read mode	Slowly blinking amber
Batch mode	Batch mode on	B On (Amber)
	Batch mode off	B Off

Connecting (Wire)

A wire connection is available on the Point Mobile-manufactured host devices except PM85.

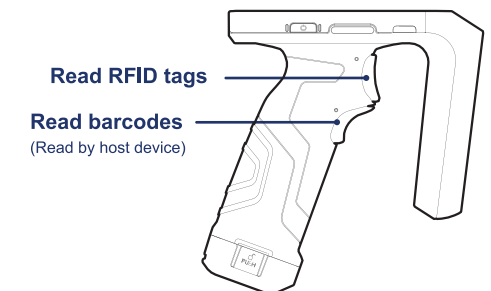
RFID Control app is required. Download the app from the Service Portal, and install it on the host device.

1. Assemble a sled bracket for host device.
2. Launch the RFID Control app.
3. (PM90 only) Check if the RF88's Power LED lights on depending on the battery level.
If not, press the mode button twice.
3. Install the host device onto the sled bracket.
4. The connection will be established automatically.
If not, tap **Connection** on the bottom.

Reading RFID Tags / Barcodes

Press the proper trigger button according to the item to be read.

- RFID Tags: Upper trigger button
- Barcodes: Lower trigger button



Note: The mapped function to trigger buttons can be changed using the RFID Control app.