



Quick Start Guide

PM67

V2.0, Jul 2021

Copyright © 2021 Point Mobile Co., Ltd. All rights reserved.

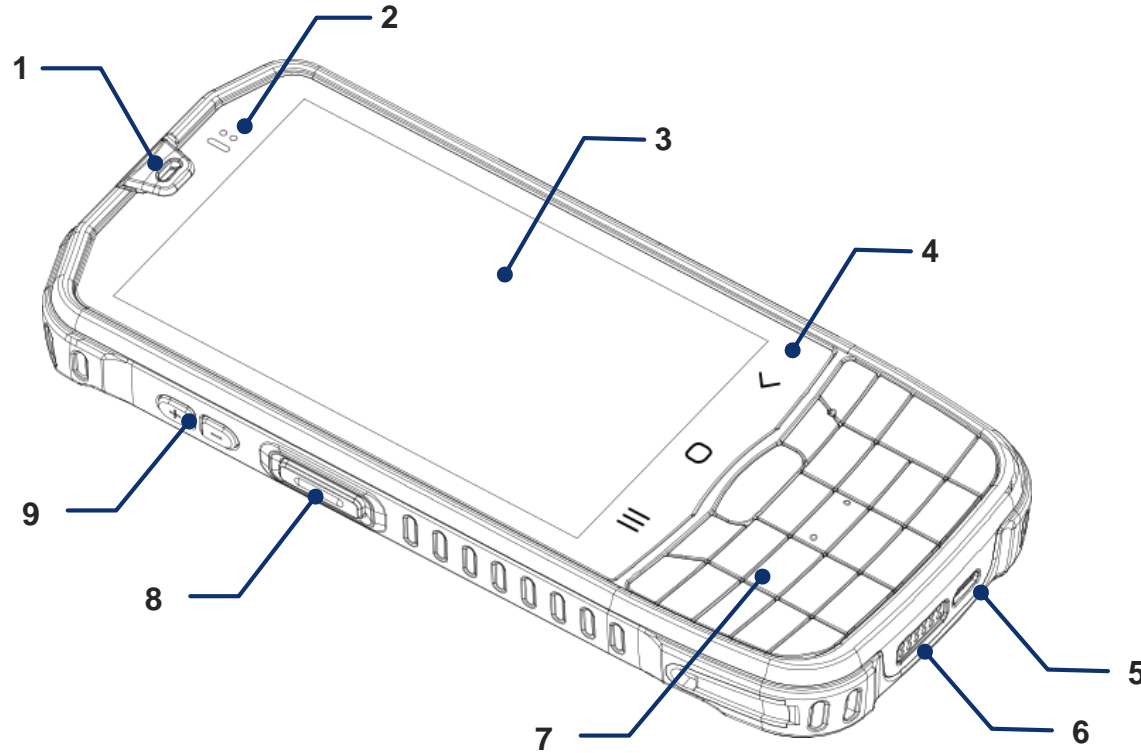
Point Mobile Co., Ltd. is the designer and manufacturer of mobile handheld devices.

The Point Mobile logo is a registered trademark and symbol of Point Mobile Co., Ltd.

Features and specifications are subject to change without prior notice.

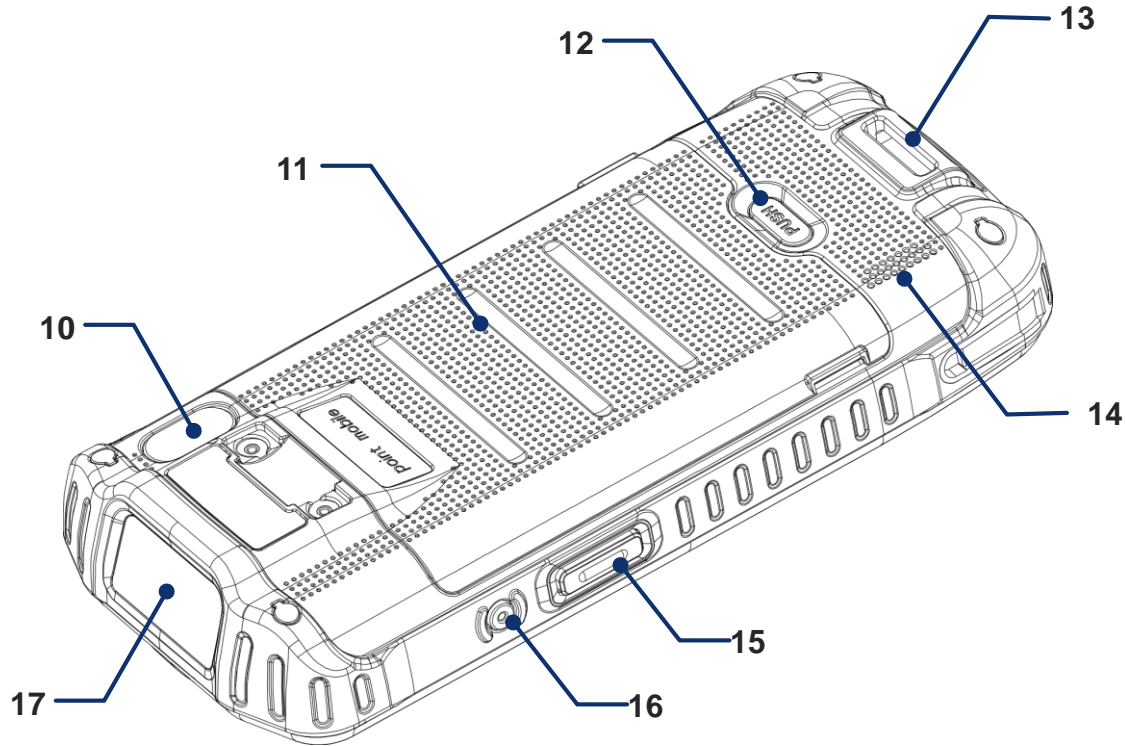


Device Parts



1. Receiver
2. LED indicator & Sensor
3. Touch screen
4. Software buttons
5. USB Type C connector
6. I/O connector
7. Keypad
8. Scan button (Left)
9. Volume buttons

Device Parts



- 10. Rear camera & Flashlight
- 11. Battery cover
- 12. Battery cover release button
- 13. Hand strap hole
- 14. Speaker
- 15. Scan button (Right)
- 16. Power button
- 17. Scanner

Product Standard Accessories



Standard battery



AC/DC power supply



Country plug



USB type C cable



LCD protection film



Hand strap



Stylus pen

Product Optional Accessories



Single Slot Cradle



Single slot Ethernet Cradle



4 Slot Cradle



4 Slot Battery Cradle

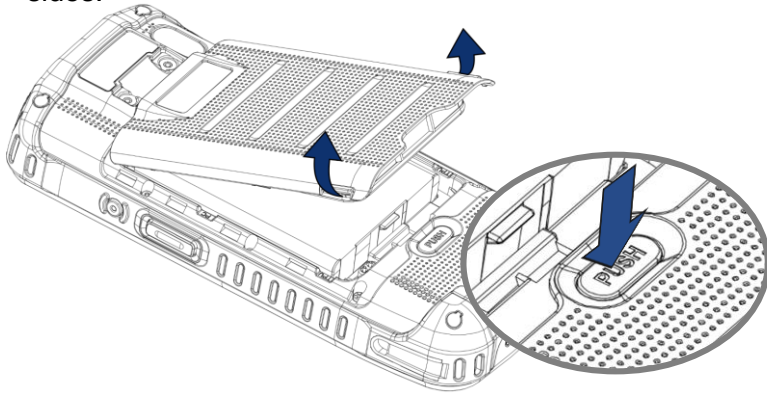


Gun handle

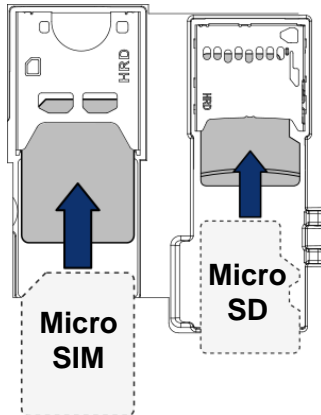
Install SIM, SD card

PM67 supports micro SIM and microSD card. (SIM card is supported by LTE SKU only.)

1. Open the battery cover while pressing the battery cover release button. Pull the cover up using small hole on both sides.

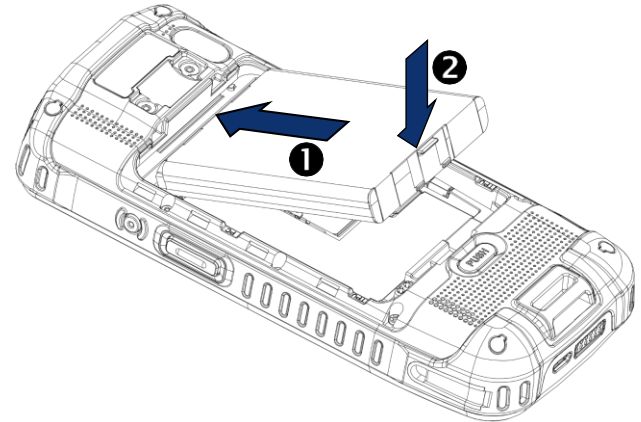


2. Insert the SIM card and SD card into proper slot in the correct orientation. (Gold contact must be facing down.)

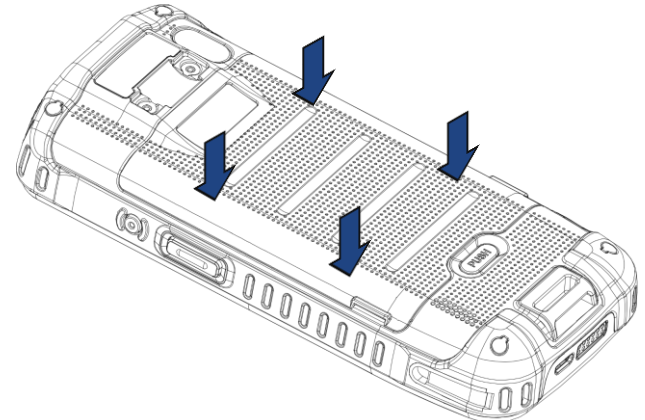


Install Battery

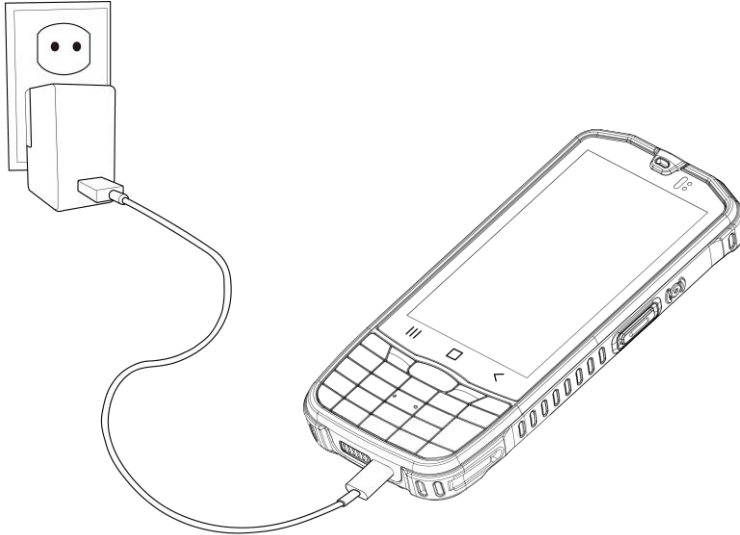
1. Open the battery cover while pressing the battery cover release button.
2. Insert the battery from top to bottom with the contacts facing down.



3. Close the battery cover from the top and close it firmly.



Charging the Device



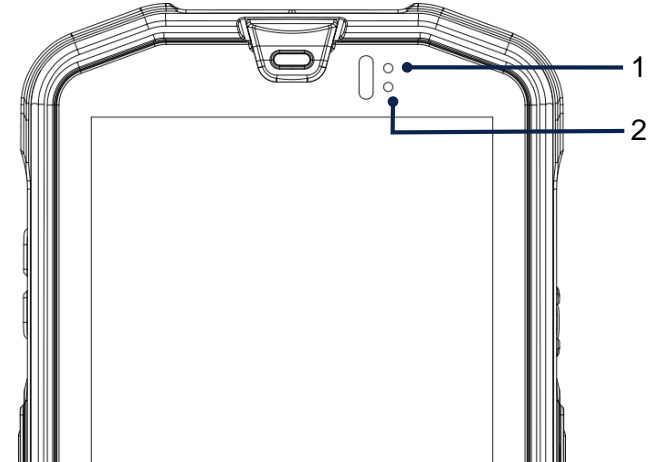
1. Assemble the AC/DC power supply, country plug and USB type C cable.
2. Connect the USB type C cable to PM67.
3. Provide power by plugging the power supply to the wall socket.

You can charge the device with charging cradles (Sold separately), too.

< Caution >

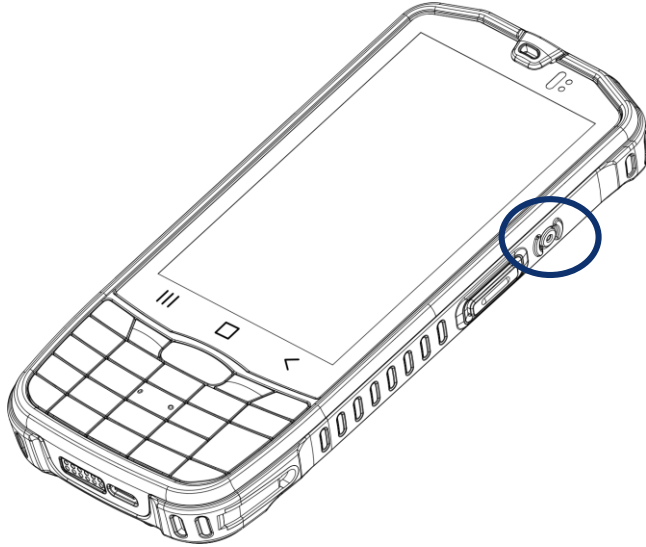
1. *Always use an original power supply from Point Mobile. Other chargers and cables may damage the PM67. The device warranty does not cover any damage caused by the usage of non-original power supplies.*
2. *Make sure the charger and cable is not wet.*

LED Indicator



No	Indicator	Status	Indication
1	Power LED	Solid red	Charging the device (With charger) / Battery is low (Without charger)
		Blinking red	Charging temperature is too low or high (With charger) / Battery is critical low (Without charger)
		Solid green	Device is fully charged
2	Notification LED	Blinking blue	Notification existing
		Red flash	Barcode reading failed
		Blue flash	Barcode reading success

Turn on / off



Turn on

Press and hold the **Power** button on the right side of PM67 until **SMART BEYOND RUGGED** logo displays on the screen.

Turn off

When the screen is on, press and hold the **Power** button until the power menu is shown. Then, tap **Power off** among the menu.

Scan a Barcode

Scanner is placed on the top of the PM67.

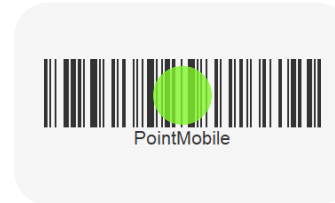
Scanner is disabled by default, so enable the scanner from **ScanSettings** first.

Then, press a scan button on the device to scan a barcode.

Ideal Aiming

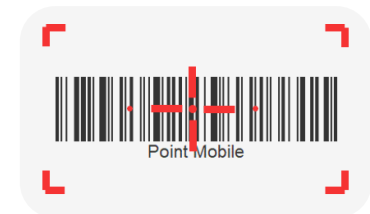
Center the green dot aimer or the cross-hair laser aimer over the barcode.

The entire barcode must be inside the illumination square.



N3601 Scanner SKU

N6603 Scanner SKU



Certification

Model: PM67

Trade name of certified: Point Mobile Co. Ltd.

Manufacturer: Point Mobile

For more certificate information,

go **Settings > About phone > Certificates**